

**CHAPTER**

**52**

**DOORS**

CESSNA®  
**MODEL 208**  
 ILLUSTRATED PARTS CATALOG

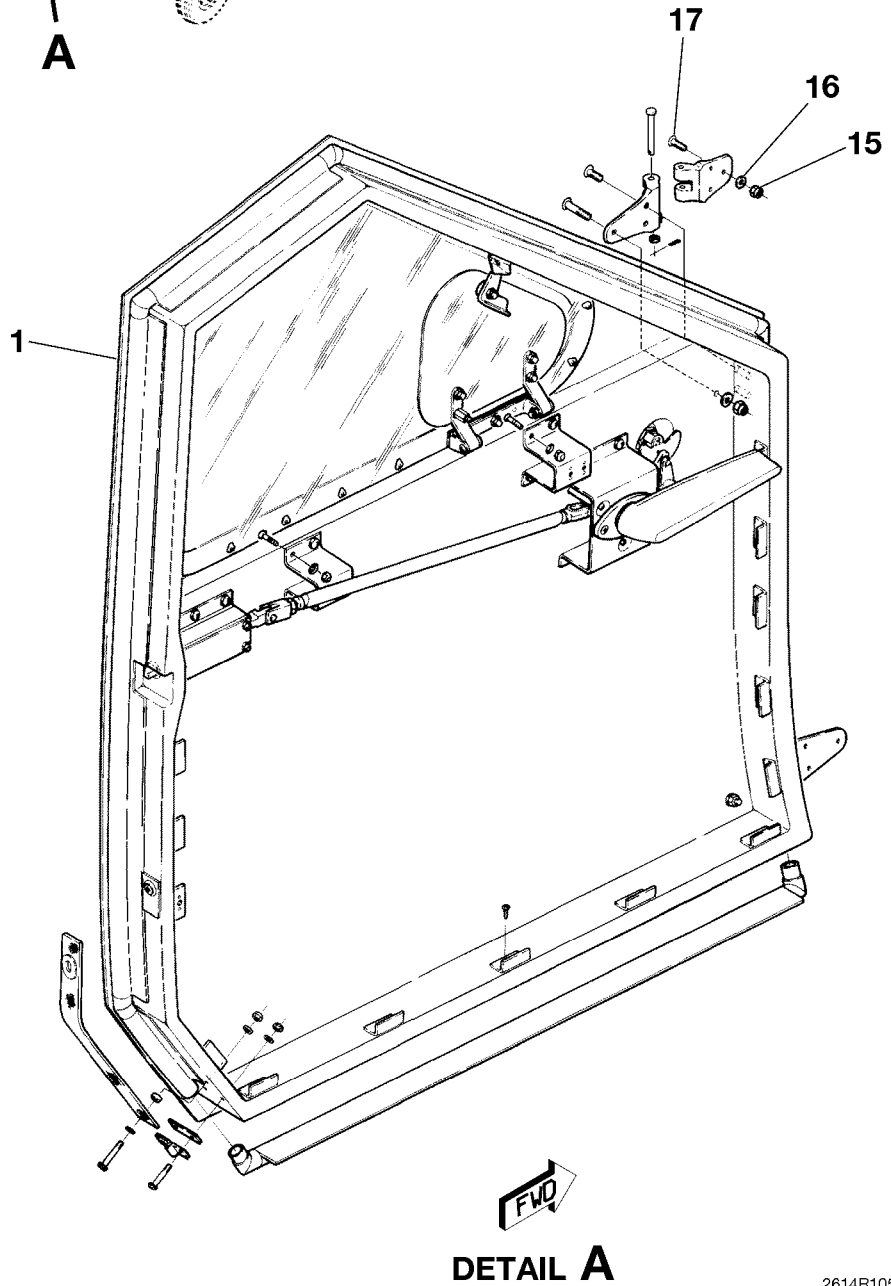
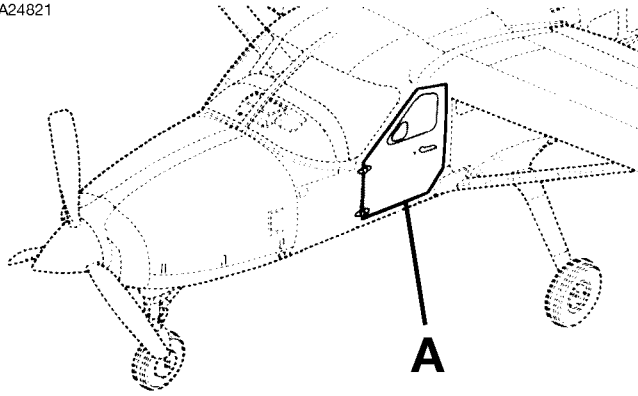
<b>CHAPTER SECTION SUBJECT</b>		<b>NUMBER OF PAGES</b>	<b>DATE</b>
52 - TITLE			
52 - LIST OF EFFECTIVE PAGES			
52 - RECORD OF TEMPORARY REVISIONS			
52 - TABLE OF CONTENTS			
52-10-00	Figure 01	8	Sep 1/2019
52-10-00	Figure 02	6	Sep 1/2016
52-10-00	Figure 03	2	Sep 1/2016
52-10-00	Figure 04	2	Mar 1/2017
52-10-01	Figure 01	2	Mar 1/2020
52-10-01	Figure 02	4	Mar 1/2015
52-10-02	Figure 01	6	Mar 1/2019
52-10-02	Figure 02	2	Mar 1/2015
52-31-00	Figure 01	4	Mar 1/2020
52-31-00	Figure 02	4	Mar 1/2020
52-31-00	Figure 03	4	Mar 1/2015
52-31-01	Figure 01	6	Mar 1/2020
52-31-01	Figure 02	4	Mar 1/2015
52-32-00	Figure 01	2	Mar 1/2015
52-32-00	Figure 02	4	Jun 1/2010
52-34-00	Figure 01	2	Jun 1/2013
52-61-00	Figure 01	4	Jun 1/2018
52-71-00	Figure 01	2	Jun 1/2010

CESSNA®  
**MODEL 208**  
 ILLUSTRATED PARTS CATALOG

<u>SUBJECT</u>	<u>CHAPTER SECTION SUBJECT</u>	<u>FIGURE</u>	<u>EFFECTIVITY</u>	
			<u>START</u>	<u>END</u>
CREW DOOR ASSEMBLY	52-10-00	01		
LATCH MECHANISM - CREW DOOR	52-10-00	02		
PASSENGER DOOR INSTALLATION UPPER WITHOUT STEPS AND WINDOW	52-10-00	03		
PASSENGER DOOR INSTALLATION LOWER WITHOUT STEPS AND WINDOW	52-10-00	04		
PASSENGER DOOR INSTALLATION - UPPER	52-10-01	01	0001 B0214	& ON & ON
LATCH MECHANISM - UPPER PASSENGER DOOR	52-10-01	02	0001 B0214	& ON & ON
PASSENGER DOOR AND STEP INSTALLATION - LOWER	52-10-02	01	0001 B0214	& ON & ON
LATCH MECHANISM - LOWER PASSENGER DOOR	52-10-02	02	0001 B0214	& ON & ON
CARGO DOOR INSTALLATION - UPPER	52-31-00	01	0001 B0214	& ON & ON
CARGO DOOR INSTALLATION - UPPER NOT USED ON PASSENGER VERSION	52-31-00	02	0208 B0001	0499 & ON
LATCH MECHANISM - UPPER CARGO DOOR	52-31-00	03		
CARGO DOOR INSTALLATION - LOWER	52-31-01	01		
LATCH MECHANISM - LOWER CARGO DOOR	52-31-01	02		
DOOR INSTALLATION - INFLIGHT MOVEABLE	52-32-00	01		
DOOR INFLIGHT MOVEABLE OPERATING MECHANISM	52-32-00	02		
AIR DEFLECTOR INSTALLATION - CARGO DOOR	52-34-00	01	0089 B0214	& ON & ON
CREW STEP ASSEMBLY	52-61-00	01		
DOOR WARNING	52-71-00	01		

CESSNA®  
**MODEL 208**  
ILLUSTRATED PARTS CATALOG

A24821



CREW DOOR ASSEMBLY  
FIGURE 01 (SHEET 1)

2614R1054  
A2614R2048

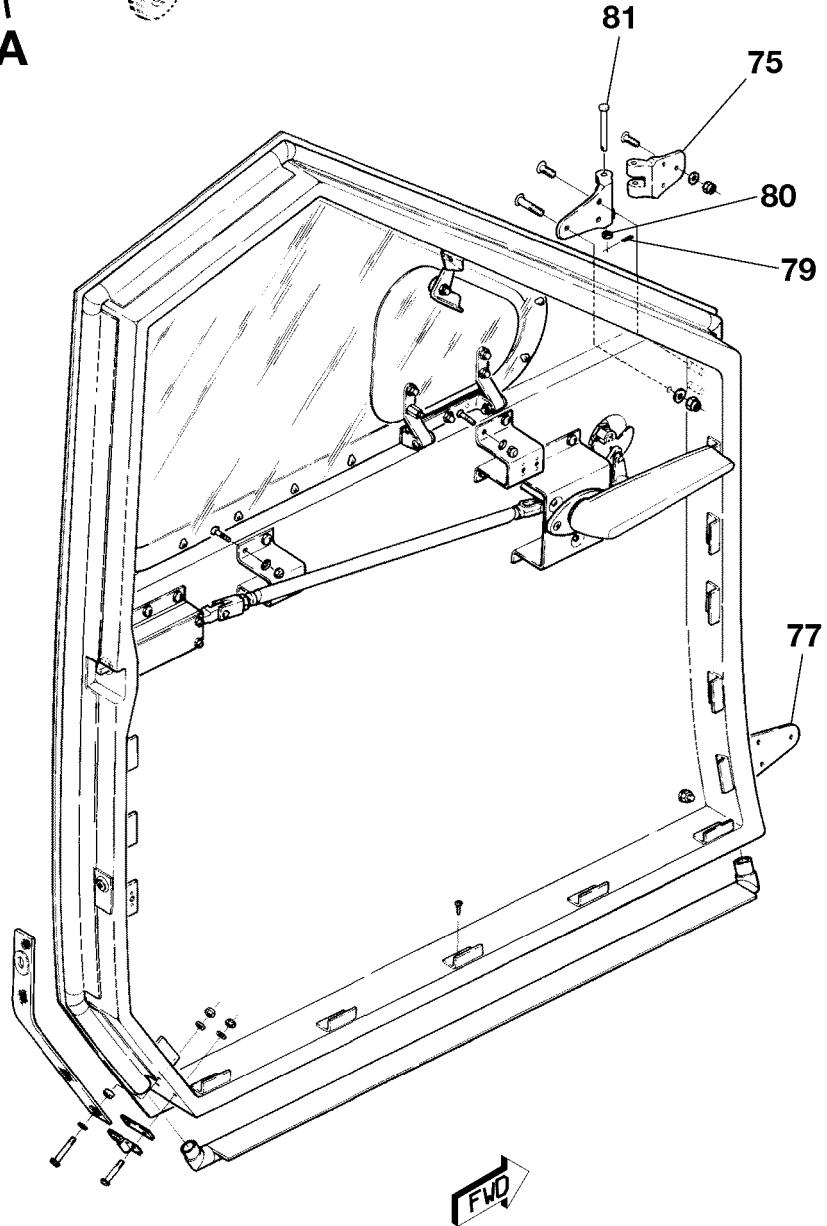
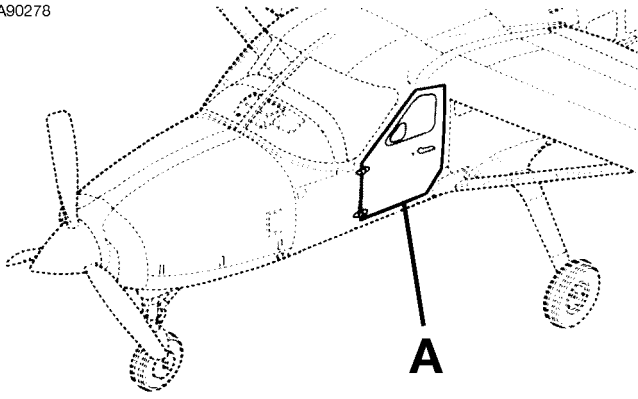
**CESSNA®**  
**MODEL 208**  
**ILLUSTRATED PARTS CATALOG**

FIG ITEM	PART NUMBER	NOMENCLATURE	UNITS PER ASSY		
			1	2	3
01		CREW DOOR ASSEMBLY			RF
-					
1	2617038-1	. CREW DOOR ASSY-LH FSO 2617122-201	0001	0006	NP
- 2	2617038-13	. CREW DOOR ASSY-LH FSO 2617122-201	0007	0044	NP
- 3	2617038-17	. CREW DOOR ASSY-LH FSO 2617122-201	0045	0097	NP
- 4	2617038-21	. CREW DOOR ASSY-LH FSO 2617122-201	0098	0131	NP
			B0001	B0054	
- 5	2617038-23	. CREW DOOR ASSY-LH FSO 2617122-201	0132	0176	NP
			B0055	B0206	
- 6	2617038-25	. CREW DOOR ASSY-LH FSO 2617122-201	0177	0198	NP
			B0207	B0242	
- 7	2617122-1	. CREW DOOR ASSY-LH FSO 2617122-201	0199	0246	NP
			B0243	B0499	
- 7A	2617122-3	. CREW DOOR ASSY-LH FSO 2617122-201	0247	0320	NP
			B0500	B0821	
- 7B	2617122-5	. CREW DOOR ASSY-LH FSO 2617122-201	0321	0384	NP
			B0822	B1102	
- 7C	2617122-7	. CREW DOOR ASSY-LH FSO 2617122-201	0385	0395	NP
			B1103	B1170	
- 7D	2617122-201	. CREW DOOR ASSY-LH	0001	0395	01
			B0001	B1170	
- 7E	2617122-9	. CREW DOOR ASSY-LH FSO 2617122-15	0396	0416	NP
			B1171	B1283	
- 7F	2617122-11	. CREW DOOR ASSY-LH FSO 2617122-15	0417	0421	NP
			B1284	B1315	
- 7G	2617122-11	. CREW DOOR ASSY-LH-208B CARGO FSO 2617122-15	0417	0499	NP
- 7H	2617122-13	. CREW DOOR ASSY-LH FSO 2617122-15	0422	0569	01
			B1316	B4999	
- 7J	2617122-15	. CREW DOOR ASSY-LH	0570	& ON	01
			B5000	& ON	
- 8	2617038-2	. CREW DOOR ASSY-RH FSO 2617122-202	0001	0006	NP
- 9	2617038-14	. CREW DOOR ASSY-RH FSO 2617122-202	0007	0044	NP
- 10	2617038-18	. CREW DOOR ASSY-RH FSO 2617122-202	0045	0097	NP
- 11	2617038-22	. CREW DOOR ASSY RH FSO 2617122-202	0098	0131	NP
			B0001	B0054	
- 12	2617038-24	. CREW DOOR ASSY-RH FSO 2617122-202	0132	0176	NP
			B0055	B0206	
- 13	2617038-26	. CREW DOOR ASSY-RH FSO 2617122-202	0177	0198	NP
			B0207	B0242	
- 14	2617122-2	. CREW DOOR ASSY-RH FSO 2617122-202	0199	0246	NP
			B0243	B0499	
- 14A	2617122-4	. CREW DOOR ASSY-RH FSO 2617122-202	0247	0395	NP
			B0500	B1170	
- 14B	2617122-202	. CREW DOOR ASSY-RH	0001	0395	01
			B0001	B1170	
- 14C	2617122-8	. CREW DOOR ASSY-RH FSO 2617122-16	0396	0416	NP
			B1171	B1283	
- 14D	2617122-10	. CREW DOOR ASSY-RH FSO 2617122-16	0417	0421	NP
			B1284	B1315	
- 14E	2617122-10	. CREW DOOR ASSY-RH-208 CARGO FSO 2617122-16	0417	0499	NP
- 14F	2617122-14	. CREW DOOR ASSY-RH FSO 2617122-16	0422	0569	01
			B1316	& ON	
- 14G	2617122-16	. CREW DOOR ASSY-RH	0570	& ON	01
			B5000	& ON	
		ATTACHING PARTS			
15	MS21044N3	. NUT			06
16	NAS1149F0363P	. WASHER			06
17	AN525-10R11	. SCREW			06

- ITEM NOT ILLUSTRATED

CESSNA®  
MODEL 208  
ILLUSTRATED PARTS CATALOG

A90278



**DETAIL A**

2614R1054  
A2614R2048

CREW DOOR ASSEMBLY  
FIGURE 01 (SHEET 2)

CESSNA®  
**MODEL 208**  
 ILLUSTRATED PARTS CATALOG

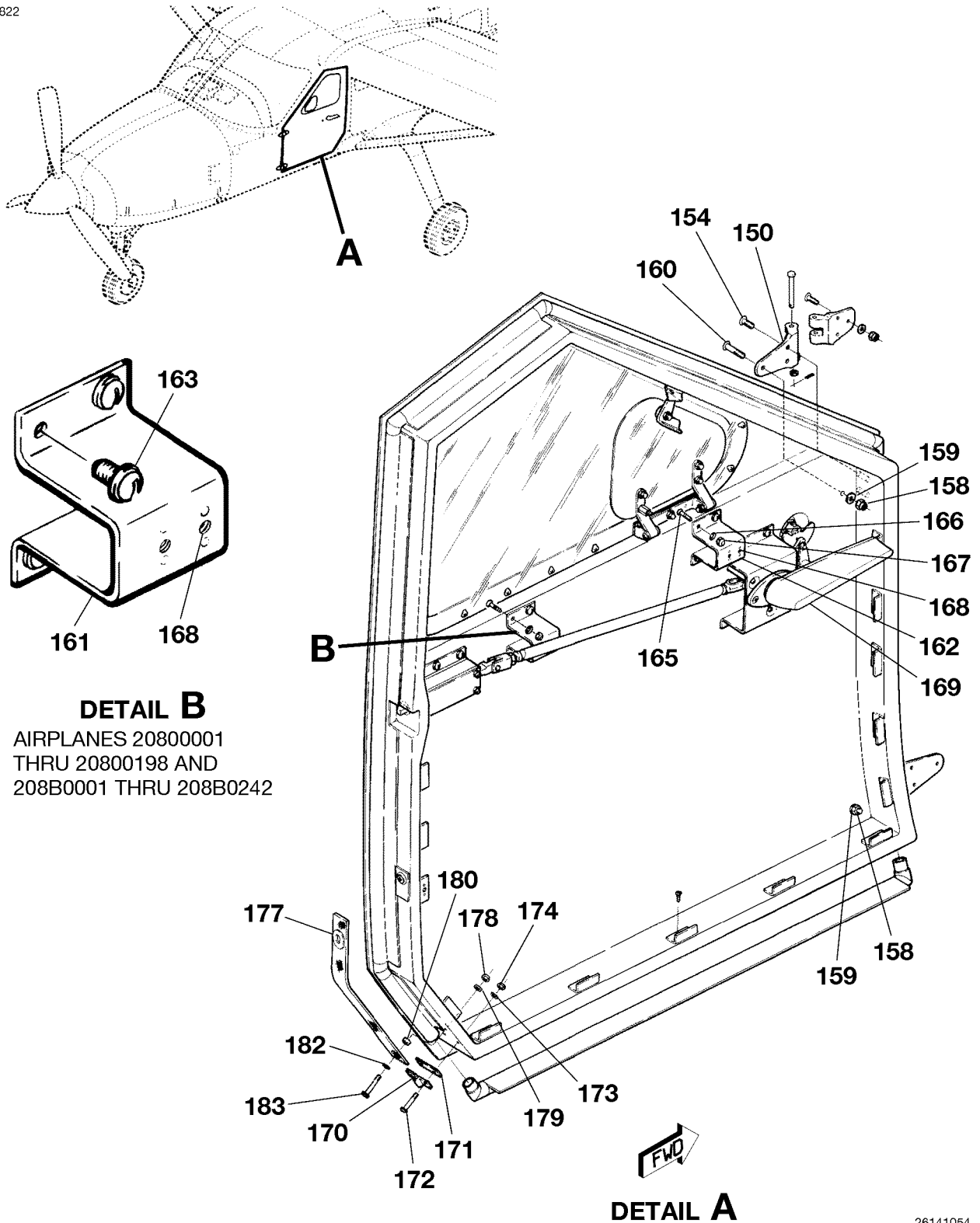
FIG ITEM	PART NUMBER	1 2 3 4 5 6 7	NOMENCLATURE	UNITS PER ASSY		
01						
75	2617015-12		.. HINGE-DOOR LH UPR FWD FSO 2617015-22 .....	0001	0246	NP
- 75A	2617015-22		.. HINGE-DOOR LH UPR FWD .....	B0001	B0499	
				0247	& ON	01
				B0500	& ON	
- 76	2617015-11		.. HINGE-DOOR RH UPR FWD FSO 2617015-19 .....	0001	0246	NP
				B0001	B0499	
- 76A	2617015-19		.. HINGE-DOOR RH UPR FWD .....	0246	& ON	01
				B0500	& ON	
77	2617015-2		.. HINGE-DOOR LH LWR FWD FSO 2617015-18 .....	0001	0246	NP
				B0001	B0499	
- 77A	2617015-18		.. HINGE-DOOR LH LWR FWD .....	0247	& ON	01
				B0500	& ON	
- 78	2617015-1		.. HINGE-DOOR RH LWR FWD FSO 2617015-17 .....	0001	0246	NP
				B0001	B0499	
- 78A	2617015-17		.. HINGE-DOOR RH LWR FWD .....	0247	& ON	01
				B0500	& ON	
79	MS24665-132		.. COTTER PIN .....			02
80	NAS1149F0332P		.. WASHER REFER TO NOTE 1 .....			02
- 80A	NAS1149F0432P		.. WASHER REFER TO NOTE 2 .....			02
81	MS20392-2C65		.. PIN-HINGE REFER TO NOTE 1 .....	0001	& ON	02
				B0001	& ON	
- 82	MS20392-3C65		.. PIN-HINGE REFER TO NOTE 2 .....	0001	& ON	02
				B0001	& ON	

NOTE 1—AIRPLANES NOT INCORPORATING CAB96-2

NOTE 2—AIRPLANES INCORPORATING CAB96-2

CESSNA®  
**MODEL 208**  
 ILLUSTRATED PARTS CATALOG

A24822



**DETAIL B**  
 AIRPLANES 20800001  
 THRU 20800198 AND  
 208B0001 THRU 208B0242

**DETAIL A**

CREW DOOR ASSEMBLY  
 FIGURE 01 (SHEET 3)

26141054  
 A26142048  
 B26144002



**CESSNA®**  
**MODEL 208**  
**ILLUSTRATED PARTS CATALOG**

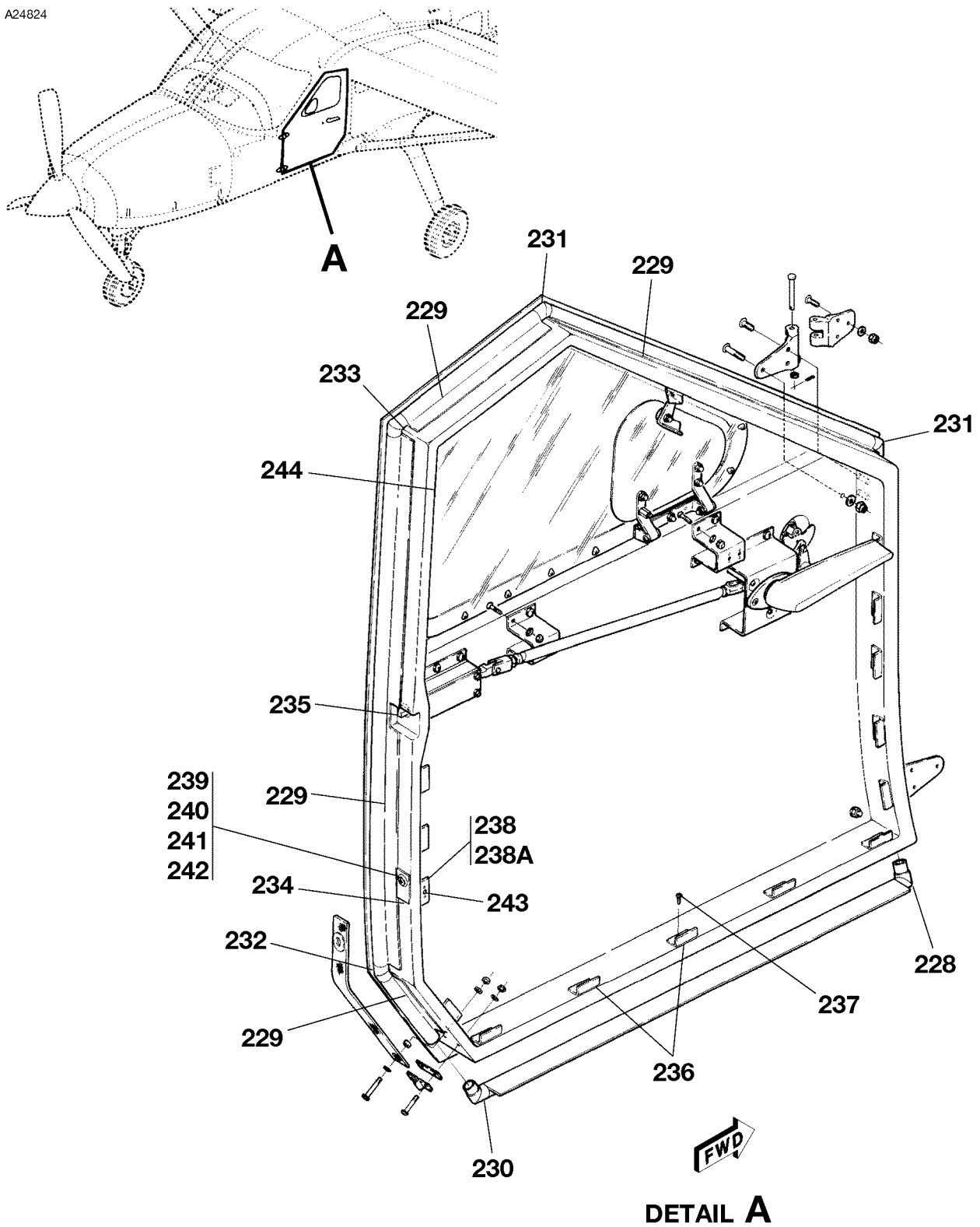
FIG ITEM	PART NUMBER	NOMENCLATURE	UNITS PER ASSY		
			1	2	3
01					
150	2617015-15	.. HINGE-DOOR LH UPR AFT FSO 2617015-23 .....	0001	0246	NP
- 150A	2617015-23	.. HINGE-DOOR LH UPR AFT .....	B0001	B0499	
- 151	2617015-16	.. HINGE-DOOR RH UPR AFT FSO 2617015-26 .....	0247	& ON	01
- 151A	2617015-26	.. HINGE-DOOR RH UPR AFT .....	B0500	& ON	
- 152	2617015-13	.. HINGE-DOOR LH LWR AFT FSO 2617015-21 .....	0001	0246	NP
- 152A	2617015-21	.. HINGE-DOOR LH LWR AFT .....	B0001	B0499	
- 153	2617015-14	.. HINGE-DOOR RH LWR AFT FSO 2617015-24 .....	0247	& ON	01
- 153A	2617015-24	.. HINGE-DOOR RH LWR AFT .....	B0499	& ON	
154	NAS222-10	.. SCREW USED WITH 2617038-1,-2,-13 AND -14 REFER TO NOTE 1 .....	0001	0246	NP
- 155	MS35206-280	.. SCREW USED WITH 2617038-17,-18,-21 AND -22 REFER TO NOTE 1 .....	B0001	B0499	
- 156	MS27039-4-24	.. SCREW REFER TO NOTE 2 .....	0247	& ON	01
- 157	SL414-4	.. NUT-BARREL REFER TO NOTE 2 .....	B0500	& ON	
158	MS21044N4	.. NUT .....	0001	0044	02
159	NAS1149F0432P	.. WASHER .....	0045	0198	02
160	MS27039-4-19	.. SCREW .....	B0001	B0242	
161	2617028-1	.. BRACKET ASSY-DOOR PULL .....	0199	& ON	02
162	2617028-3	.. BRACKET ASSY-DOOR PULL .....	B0243	& ON	
163	AN525-416R6	.. SCREW USED WITH 2617038-1,-2,-13 AND -14 .....	0199	& ON	02
- 164	MS35206-277	.. SCREW USED WITH 2617038-17,-18,-21 AND -22 .....	B0243	& ON	
165	MS24694-S58	.. SCREW USED WITH 2617122-1,-2,-3,-4 .....	0001	0198	02
166	NAS1149F0332P	.. WASHER .....	B0001	B0242	
167	MS21044N3	.. NUT .....	0001	0198	02
168	MS21047L3	.. NUTPLATE .....	B0001	B0242	
169		.. LATCH MECHANISM-CREW DOOR REFER TO 52-10-00 FIGURE 02 .....	0001	0044	04
170	2617090-8	.. CLIP-DOOR ROD .....	0045	0198	04
171	2617090-10	.. PLATE-DOOR ROD CLIP .....	B0001	B0242	
172	MS35206-244	.. SCREW .....	0199	& ON	04
173	NAS1149FN832P	.. WASHER .....	B0243	& ON	
174	MS21044N08	.. NUT .....	0199	& ON	04
- 175	2617126-1	.. SUPPORT ASSY FSO 2617126-1 .....	B0243	& ON	
- 175A	2617126-3	.. SUPPORT ASSY .....	0199	& ON	04
- 176	S1021A4-8	.. SCREW .....	B0243	& ON	
177	2617088-2	.. STRAP ASSY-DOOR STOP .....	0199	& ON	04
178	MS21044N3	.. NUT .....	B0243	& ON	
179	NAS1149F0363P	.. WASHER .....	0199	& ON	04
180	NAS43DD3-9FC	.. SPACER-STRAP ASSY .....	B0243	& ON	
- 181	NAS43DD3-9N	.. SPACER-STRAP ASSY ALT FOR NAS43DD3-9FC .....	0199	& ON	04
182	NAS1149F0332P	.. WASHER .....	B0243	& ON	
183	AN525-10R20	.. SCREW .....	0199	& ON	04

NOTE 1—AIRPLANES NOT INCORPORATING SK208-101

NOTE 2—AIRPLANES -0199 AND ON AND -B0243 AND ON, AND AIRPLANES -0001 THRU -0198 AND -B0001 THRU -B0242 INCORPORATING SK208-101.

CESSNA®  
**MODEL 208**  
ILLUSTRATED PARTS CATALOG

A24824



**DETAIL A**

CREW DOOR ASSEMBLY  
FIGURE 01 (SHEET 4)

2614R1054  
A2614R2048

**CESSNA®**  
**MODEL 208**  
**ILLUSTRATED PARTS CATALOG**

FIG ITEM	PART NUMBER	1 2 3 4 5 6 7	NOMENCLATURE	UNITS PER ASSY		
01						
- 225	F990030		FABRIC FASTENER-HOOK BKI FSO F990324	0001	0131	NP R
				B0001	B0054	
- 225A	F990324		FABRIC FASTENER-HOOK BKI	0001	0131	AR R
				B0001	B0054	
- 226			CREW DOOR STRUCTURE ASSY-LH			RF
- 227			CREW DOOR STRUCTURE ASSY-RH			RF
228	S2642-1		CORNER-SEALING			01
- 228A	S4377-4		CORNER-SEALING-ALT FOR S2642-1			01
229	S2730-1		SEAL-CREW DOOR BKI			AR
230	S2642-2		CORNER-SEALING			01
- 230A	S4377-5		CORNER-SEALING-ALT FOR S2642-2			01
231	S2642-3		CORNER-SEALING			02
- 231A	S4377-6		CORNER-SEALING-ALT FOR S2642-3			02
232	S2642-4		CORNER-SEALING			01
- 232A	S4377-7		CORNER-SEALING-ALT FOR S2642-4			01
233	S2642-2		CORNER-SEALING	0001	0246	01
				B0001	B0499	
- 233A	S2642-5		CORNER-SEALING	0247	& ON	01
				B0500	& ON	
- 233B	S4377-8		CORNER-SEALING-ALT FOR S2642-5			01
234	F990014		FABRIC FASTENER-HOOK 2.00 IN LG BKI	0001	0131	01
				B0001	B0054	
- 234A	F990308		FABRIC FASTENER-HOOK 2.00 IN LG BKI ALT FOR F990014	0001	0131	01
				B0001	B0054	
235	2617093-1		BUSHING-LATCH BOLT GUIDE			01
236	2615043-1		CLIP-UPHOLSTERY			13
			ATTACHING PARTS			
237	S1021A4-8		SCREW			02
			—*—			
238	2615043-1		CLIP-UPHOLSTERY REFER TO NOTE 1	0001	0131	01
				B0001	B0054	
238A	2615043-4		CLIP ASSY-UPHOLSTERY FSO 2615043-8 REFER TO NOTE 2	0132	0173	NP
				B0055	B0203	
- 238B	2615043-8		CLIP ASSY-UPHOLSTERY	0174	& ON	01
				B0204	& ON	
			ATTACHING PARTS			
239	AN505-8R18		SCREW	0001	0131	02
				B0001	B0054	
- 239A	AN525-832R14		SCREW REFER TO NOTE 4	0001	0131	02
				B0001	B0055	
- 239B	AN525-832R18		SCREW	0132	0198	02
				B0055	B0242	
- 239C	AN525-832R16		SCREW	0199	0569	02
				B0243	B4999	
- 239D	MS24694-S14		SCREW	0570	& ON	02
				B5000	& ON	
240	S1067B1		WASHER	0001	0131	01
				B0001	B0054	
- 240A	NAS1149FN816P		WASHER REFER TO NOTE 3	0132	& ON	01
				B0132	& ON	
				B0055	& ON	
241	S1542-1		WASHER	0570	& ON	02
				B5000	& ON	
242	MS21043-08		NUT	0001	0131	01
				B0001	B0054	
- 242A	MS21044N3		NUT REFER TO NOTE 2	0132	0198	02
				B0055	B0242	
- 242B	MS21044N08		NUT	0199	& ON	02
				B0243	& ON	
			—*—			
243	MS21047L08		NUTPLATE REFER TO NOTE 2	0132	0173	01
				B0055	B0203	
- 243A	MS21047L03		NUTPLATE	0174	& ON	01
				B0204	& ON	
244			WINDOW-CREW DOOR LH AND RH REFER TO 56-30-00 FIGURE 01			RF

NOTE 1—NOT INCORPORATING SK208-29.

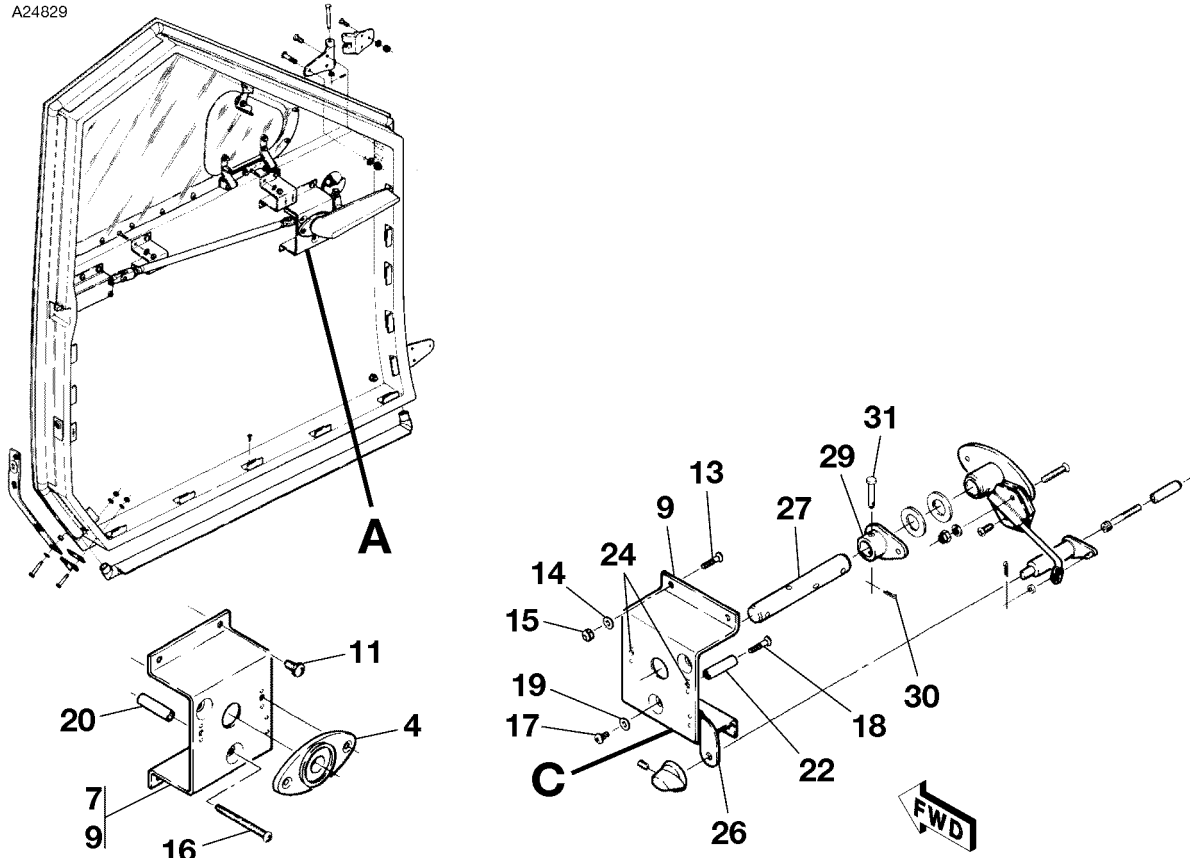
NOTE 2—AIRPLANES -0132 THRU -0173 AND -B0055 THRU -B0203 AND -0001 THRU -0131 AND -B0001 THRU -B0054 INCORPORATING SK208-29.

NOTE 3—AIRPLANES -0132 AND ON AND -B0055 AND ON AND -0001 THRU -0131 AND -B0001 THRU -B0054 INCORPORATING SK208-29.

NOTE 4—AIRPLANES -0001 THRU -0131 AND -B0001 THRU -B0055 INCORPORATING SK208-29.

CESSNA®  
**MODEL 208**  
 ILLUSTRATED PARTS CATALOG

A24829

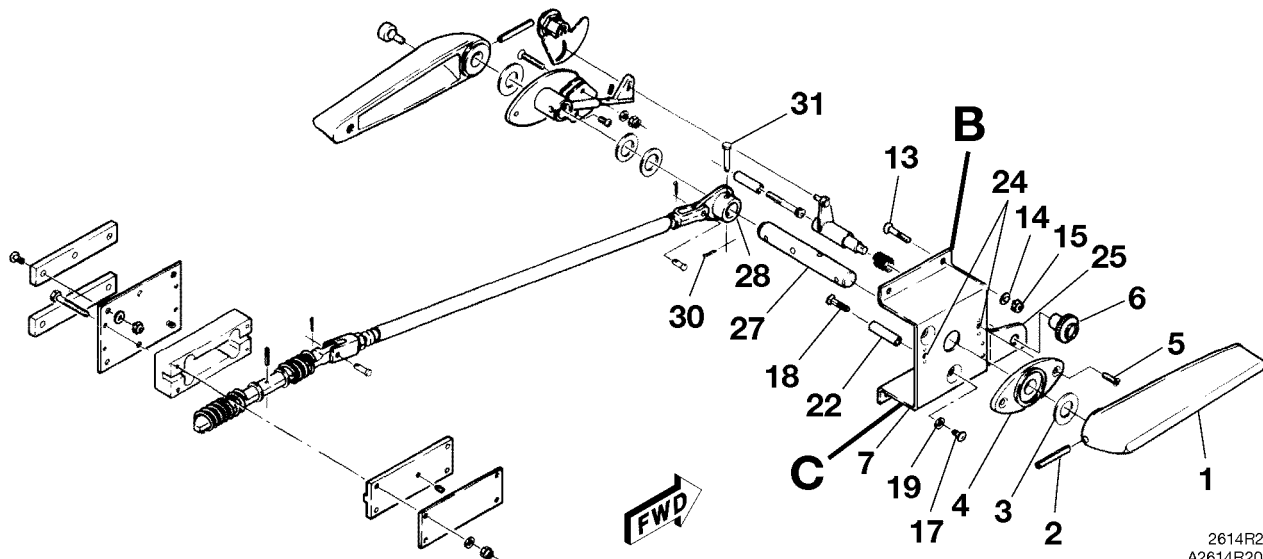


**DETAIL C**

AIRPLANES 2080001 THRU 20800198 AND  
 AIRPLANES 208B0001 THRU 208B0242

**DETAIL B**

RH ONLY



**DETAIL A**

LATCH MECHANISM - CREW DOOR  
 FIGURE 02 (SHEET 1)

2614R2048  
 A2614R2047A  
 B2614R2047A  
 C2614R2047

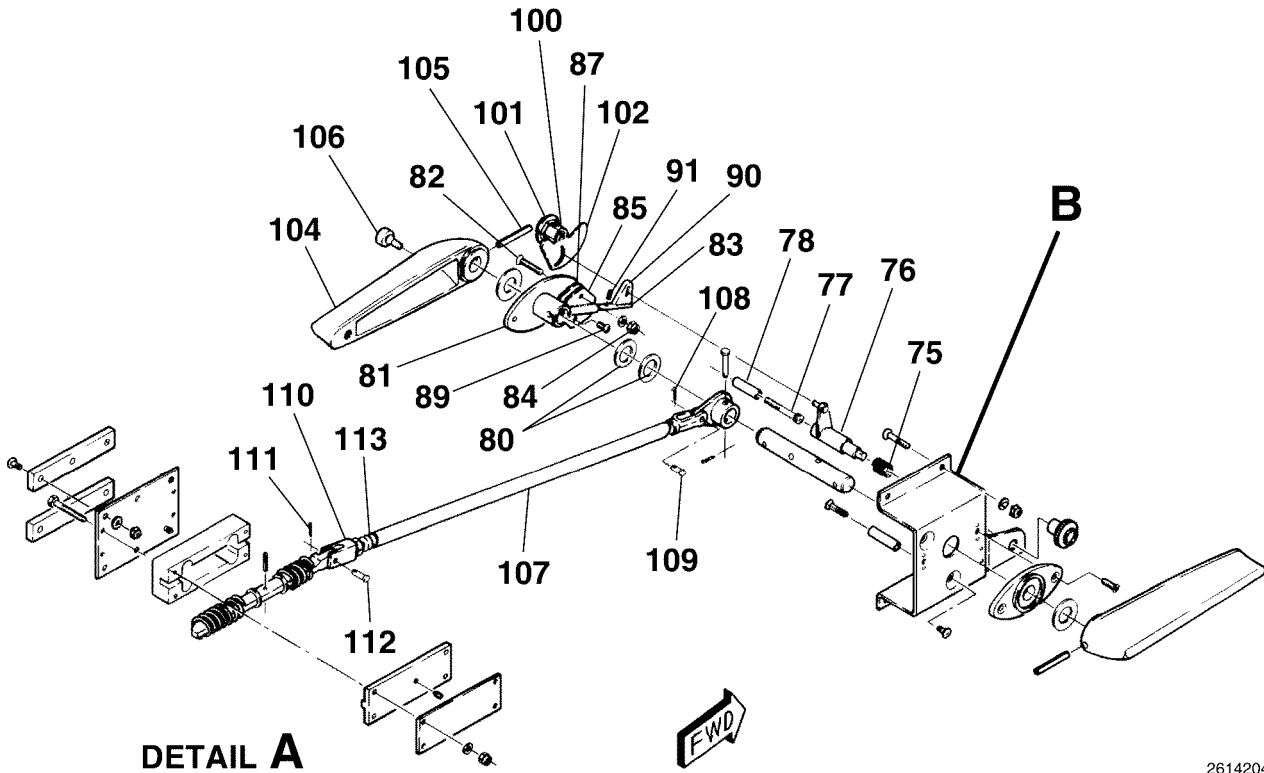
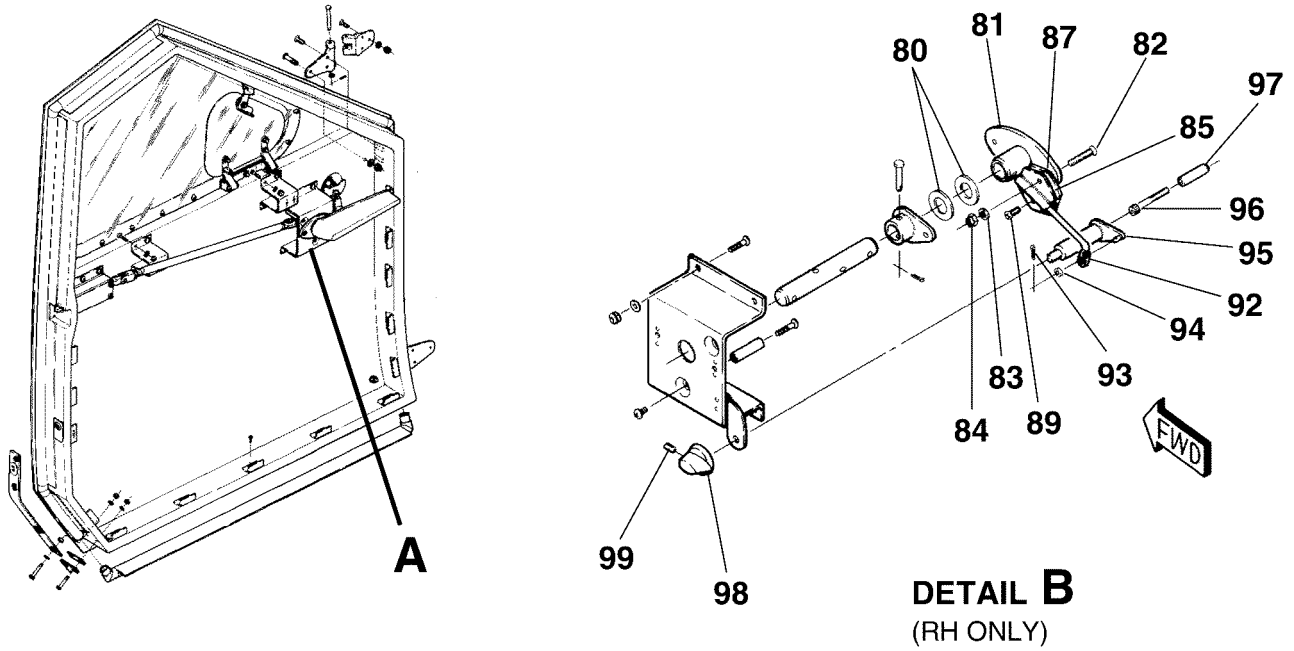
**CESSNA®  
MODEL 208  
ILLUSTRATED PARTS CATALOG**

FIG ITEM	PART NUMBER	NOMENCLATURE	UNITS PER ASSY		
			1	2	3
02					
-		LATCH MECHANISM - CREW DOOR			RF
1	2617094-6	. HANDLE-INBOARD CREW DOOR FSO 2617094-8 . . . . .	0001	0569	NP
- 1A	2617094-8	. HANDLE-INBOARD CREW DOOR . . . . .	B001	B4999	
			0570	& ON	01
			B5000	& ON	
		ATTACHING PARTS			
2	NAS561P6-24	. PIN . . . . .			01
- 2A	MS16562-52	. PIN ALT FOR NAS561P6-24 . . . . .			01
		—*—			
3	S1438-24	. WASHER (1 MINIMUM) . . . . .			AR
4	2617036-2	. ESCUTCHEON FSO 2617036-7 . . . . .	0001	0569	NP
- 4A	2617036-7	. ESCUTCHEON . . . . .	B0001	B4999	
			0570	& ON	01
			B5000	& ON	
		ATTACHING PARTS			
5	MS24693-S273	. SCREW . . . . .			02
		—*—			
6	S1980-5	. KNOB ASSY LH ONLY . . . . .			01
- 6A	AN565D8H2	. SET SCREW KNOB ASSY . . . . .			01
7	2617031-1	. SUPPORT ASSY-LH CREW DOOR HANDLE . . . . .	0001	0198	01
- 8	2617031-7	. SUPPORT ASSY-LH CREW DOOR HANDLE . . . . .	B0001	B0242	
			0199	& ON	01
			B0243	& ON	
9	2617031-2	. SUPPORT ASSY-RH CREW DOOR HANDLE . . . . .	0001	0198	01
- 10	2617031-8	. SUPPORT ASSY-RH CREW DOOR HANDLE . . . . .	B0001	B0242	
			0199	& ON	01
			B0243	& ON	
		ATTACHING PARTS			
11	AN525-416R6	. SCREW USED WITH 2617038-1,-2,-13,-14 DOORS . . . . .	0001	0044	04
- 12	MS35206-277	. SCREW USED WITH 2617038-17 AND -18 DOORS . . . . .	0001	0981	04
13	MS24694-S58	. SCREW USED WITH 2617122-1 AND -2 DOORS . . . . .	B0001	B0242	
			0199	& ON	04
			B0243	& ON	
14	NAS1149F0332P	. WASHER . . . . .	0199	& ON	04
15	MS21044N3	. NUT . . . . .	B0243	& ON	
			0199	& ON	04
16	MS35206-272	. SCREW . . . . .	B0243	& ON	
			0001	0198	02
17	MS35207-261	. SCREW USED WITH 2617122-1 AND -2 DOORS . . . . .	B0001	B0242	
			0199	0569	02
- 17A	AN525-10R6	. SCREW . . . . .	B0243	B4999	
			0570	& ON	02
			B5000	& ON	
18	MS24694-S56	. SCREW USED WITH 2617122-1 AND -2 DOORS . . . . .	0199	& ON	02
19	MS35333-39	. LOCK WASHER . . . . .	B0243	& ON	
			0199	0569	02
20	NAS43HT3-114	. SPACER-SUPPORT ASSY 1.781 LENGTH . . . . .	B0243	B4999	
			0001	0198	AR
- 21	2617108-1	. SPACER-SUPPORT ASSY 1.812 LENGTH . . . . .	B0001	B0242	
			0001	0198	AR
22	2617121-2	. STOP-BELLCRANK . . . . .	B0001	B0242	
			0199	& ON	01
- 23	2617121-3	. STOP-BELLCRANK . . . . .	B0243	& ON	
			0199	& ON	01
			B0243	& ON	
		—*—			
24	MS21059L3	. . NUTPLATE . . . . .			02
25	2617031-6	. . BRACKET LH ONLY . . . . .			01
26	2617031-5	. . BRACKET RH ONLY . . . . .			01
27	2617035-1	. SPINDLE-DOOR HANDLE . . . . .			01
28	2617030-1	. BELLCRANK ASSY-LH . . . . .			01
29	2617030-2	. BELLCRANK ASSY-RH . . . . .			01
		ATTACHING PARTS			
30	MS24665-132	. COTTER PIN . . . . .			01
31	MS20392-2C29	. PIN . . . . .			01
		—*—			

- ITEM NOT ILLUSTRATED

CESSNA®  
**MODEL 208**  
 ILLUSTRATED PARTS CATALOG

A24833



LATCH MECHANISM - CREW DOOR  
 FIGURE 02 (SHEET 2)

26142048  
 A26142047A  
 B26142047A

**CESSNA®**  
**MODEL 208**  
**ILLUSTRATED PARTS CATALOG**

FIG ITEM	PART NUMBER	NOMENCLATURE	UNITS PER ASSY	
			1 2 3 4 5 6 7	
02				
75	5711675-2	. SPRING LH ONLY . . . . .		01
76	2617104-1	. BELLCRANK ASSY-DOOR LOCK LH ONLY . . . . .		01
77	NAS1352-3-24	. SCREW LH ONLY . . . . .		01
78	NAS42DD6-40FC	. SPACER-BELLCRANK ASSY LH ONLY . . . . .	0001 0198	01
- 78A	NAS42DD6-40N	. SPACER-BELLCRANK ASSY LH ONLY ALT FOR NAS43DD6-40FC . . . . .	B0001 B0242 0001 0198	01
- 79	2617121-1	. SHAFT-CREW DOOR LOCK LH ONLY . . . . .	B0001 B0242 0199 & ON	01
80	NAS1149F1032P	. WASHER . . . . .	B0243 & ON	AR
81	2617036-1	. ESCUTCHEON FSO 2617036-5 . . . . .	0001 0569	NP
- 81A	2617036-5	. ESCUTCHEON . . . . .	B0001 B4999 0570 & ON B5000 & ON	01
82	MS24694-S60	. SCREW-ESCUTCHEON ATTACH . . . . .		02
83	NAS1149F0332P	. WASHER-ESCUTCHEON ATTACH . . . . .		02
84	MS21044N3	. NUT-ESCUTCHEON ATTACH . . . . .		02
85	2617033-1	. GUIDE ASSY-DOOR LOCK PIN . . . . .	0001 0198	01
- 86	2617033-5	. GUIDE ASSY-DOOR LOCK PIN . . . . .	B0001 B0242 0199 & ON B0243 & ON	01
87	2617106-1	. SHIM . . . . .	0001 0198	AR
- 88	2617106-2	. PLATE SHIM . . . . .	B0001 B0242 0199 & ON B0243 & ON	AR
		ATTACHING PARTS		
89	MS35206-261	. SCREW . . . . .		01
		—*—		
90	2617103-1	. PIN ASSY-DOOR LOCK LH ONLY . . . . .		01
91	NAS561-2-5	. PIN LH ONLY . . . . .		01
92	2617032-2	. PIN-DOOR LOCK RH ONLY . . . . .		01
		ATTACHING PARTS		
93	MS24665-132	. COTTER PIN RH ONLY . . . . .		01
94	NAS1149FN832P	. WASHER RH ONLY . . . . .		01
		—*—		
95	2617034-1	. BELLCRANK ASSY-DOOR LOCK RH ONLY . . . . .		01
96	NAS1352-3-24	. SCREW RH ONLY . . . . .		01
97	NAS76A3-104	. BUSHING-BELLCRANK RH ONLY . . . . .		01
98	S1587-7	. KNOB ASSY RH ONLY . . . . .		01
99	AN565D8H5	. SET SCREW . . . . .		01
100	C253001-0102	. LOCK ASSY-LH CREW DOOR REFER TO NOTE 1 . . . . .	0001 0384	01
			B0214 B1102	
- 100A	ASCV208B-3D	. LOCK SET-LH CREW DOOR . . . . .	V1DWF8 0385 & ON B1103 & ON	01
- 100B	ASCV208B-P	. LOCK ASSEMBLY-LH CREW DOOR . . . . .	V1DWF8 0385 & ON B1103 & ON	01
		ATTACHING PARTS		
101	S1450-19A18-040	. WASHER . . . . .	0001 0384	01
		—*—	B0214 B1102	
102	2617105-2	. CAM ASSY LH ONLY . . . . .		01
- 103	S1438-24	. WASHER (1 MINIMUM) . . . . .		AR
104	2617094-5	. HANDLE-OUTBOARD CREW DOOR FSO 2617094-7 . . . . .	0001 0569	NP
			B0001 B4999 0570 & ON B5000 & ON	01
- 104A	2617094-7	. HANDLE-OUTBOARD CREW DOOR . . . . .		01
		ATTACHING PARTS		
105	NAS561P6-24	. PIN . . . . .		01
- 105A	MS16562-52	. PIN ALT FOR NAS561P6-24 . . . . .		01
		—*—		
106	4204	. BUMPER-OUTBOARD DOOR HANDLE . . . . .	V70655	01
107	NAS359-84-1790	. TUBE ASSY . . . . .		01
		ATTACHING PARTS		
108	MS24665-132	. COTTER PIN . . . . .		01
109	MS20392-2C11	. PIN . . . . .		01
		—*—		
110	2117123-1	. CLEVIS . . . . .		01
		ATTACHING PARTS		
111	MS24665-132	. COTTER PIN . . . . .		01
112	MS20392-2C17	. PIN . . . . .		01
		—*—		
113	AN316-4R	. NUT . . . . .		01

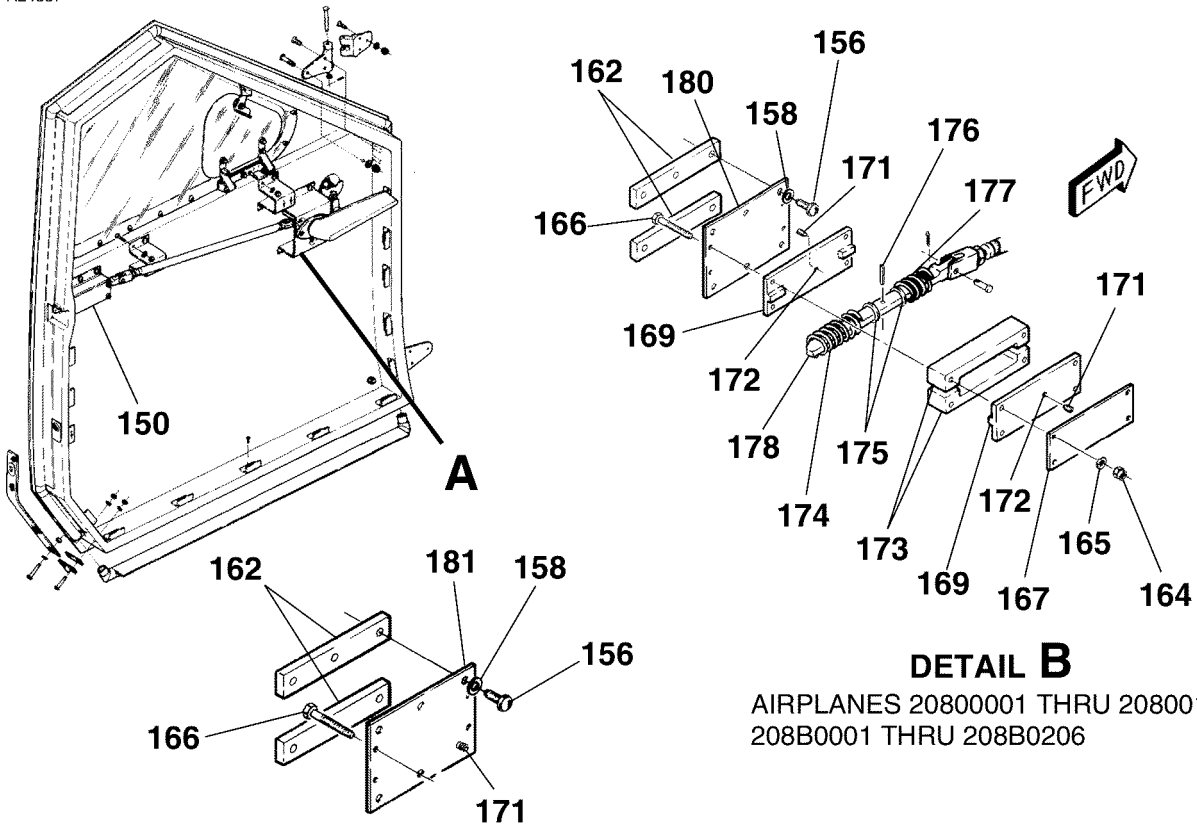
NOTE 1—WHEN ORDERING PART PROVIDE LOCK NUMBER OR ORDER C253001-0106 LOCK KIT CONSISTING OF 3 KEYED-ALIKE LOCK AND 6 KEYS OR C253001-0105 CONSISTING OF 2 KEYED-ALIKE LOCKS AND 4 KEYS.

R

- ITEM NOT ILLUSTRATED

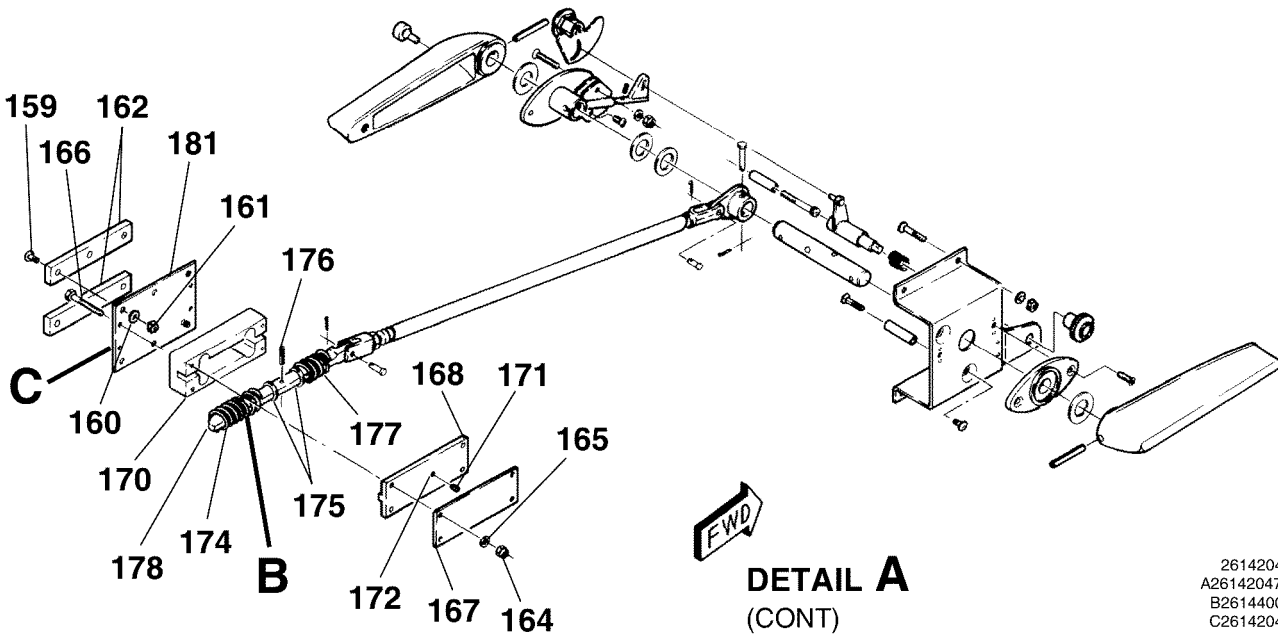
CESSNA®  
**MODEL 208**  
 ILLUSTRATED PARTS CATALOG

A24837



**DETAIL B**  
 AIRPLANES 2080001 THRU 20800176  
 208B0001 THRU 208B0206

**DETAIL C**  
 AIRPLANES 20800177 THRU 20800198  
 208B0207 THRU 208B0242



**DETAIL A**  
 (CONT)  
 LATCH MECHANISM - CREW DOOR  
 FIGURE 02 (SHEET 3)

26142048  
 A26142047A  
 B26144003  
 C26142047



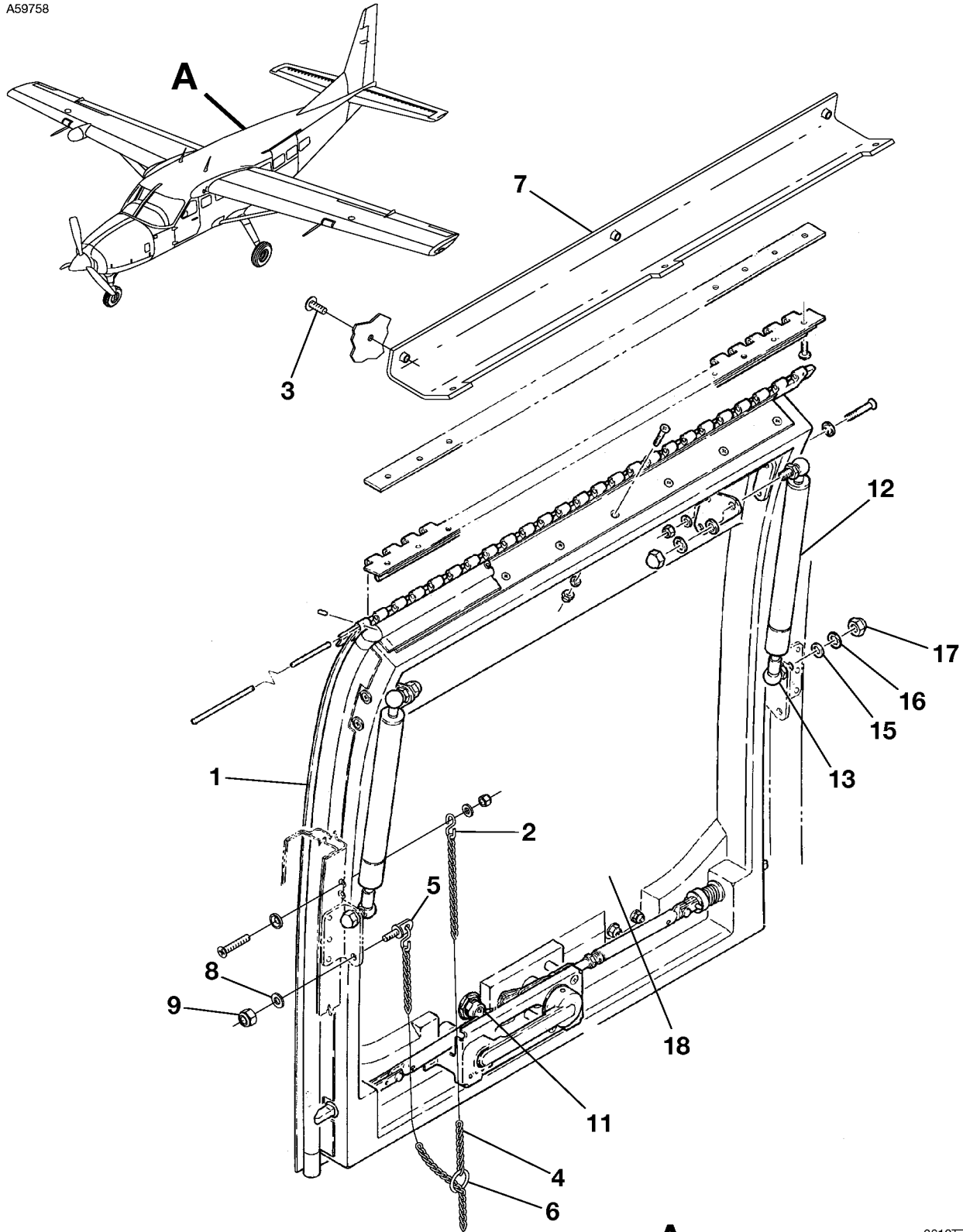
**CESSNA®**  
**MODEL 208**  
**ILLUSTRATED PARTS CATALOG**

FIG ITEM	PART NUMBER	NOMENCLATURE	UNITS PER ASSY		
			1	2	3
02					
150	2617023-1	. BOLT GUIDE ASSY-ROTARY LATCH LH . . . . .	0001	0176	01
- 151	2617118-1	. LATCH BOLT ASSY-LH ROTARY . . . . .	B0001	B0206	
- 152	2617118-3	. LATCH BOLT ASSY-LH ROTARY . . . . .	0177	0198	01
- 153	2617023-2	. BOLT GUIDE ASSY-ROTARY LATCH RH . . . . .	B0207	B0242	
- 154	2617118-2	. LATCH BOLT ASSY-RH ROTARY . . . . .	0199	& ON	01
- 155	2617118-4	. LATCH BOLT ASSY-RH ROTARY . . . . .	B0243	& ON	
		ATTACHING PARTS			
156	AN525-416R10	. SCREW USED WITH 2617038-1,-2,-13, & -14 DOOR . . . . .	0001	0044	06
- 157	MS35206-280	. SCREW USED WITH 2617038-17,-18,-21,-22 DOOR . . . . .	0045	0198	06
158	NAS1149F0463P	. WASHER USED WITH 2617038-17,-18,-21,-22 DOOR . . . . .	B0001	B0242	
159	MS24694-S61	. SCREW USED WITH 2617118-3,-4 BOLT GUIDE ASSY . . . . .	0045	0198	06
160	NAS1149F0332P	. WASHER USED WITH 2617118-3,-4 BOLT GUIDE . . . . .	B0001	B0242	
161	MS21044N3	. NUT USED WITH 2617118-3,-4 BOLT GUIDE ASSY . . . . .	0199	& ON	06
162	2617029-2	. SHIM-BOLT GUIDE . . . . .	B0243	& ON	
- 163	2617029-3	. SHIM-BOLT GUIDE . . . . .	0199	& ON	02
		—*—			
164	MS21044N3	. . . NUT . . . . .			04
165	NAS1149D0332K	. . . WASHER . . . . .			04
166	AN3-14A	. . . BOLT . . . . .			04
167	2617021-2	. . . COVER-BOLT GUIDE . . . . .	0001	0176	01
168	2617119-1	. . . COVER ASSY-BOLT GUIDE . . . . .	B0001	B0206	
169	2117121-11	. . . BOLT GUIDE ASSY . . . . .	0177	& ON	01
170	2617116-1	. . . BOLT GUIDE ASSY . . . . .	B0207	& ON	
171	AN565E8H4	. . . SET SCREW . . . . .	0001	0176	02
172	MS21209C0810	. . . INSERT . . . . .	B0001	B0206	
173	2117121-6	. . . BOLT GUIDE . . . . .	0177	& ON	02
174	2117129-5	. . . SPRING . . . . .	B0207	& ON	
175	S1450-9-12-063	. . . WASHER . . . . .			01
176	MS171530	. . . PIN . . . . .			02
177	2117129-6	. . . SPRING . . . . .			01
178	2617022-1	. . . BOLT-LH ROTARY LATCH . . . . .			01
- 179	2617022-2	. . . BOLT-RH ROTARY LATCH . . . . .			01
180	2617021-1	. . . PLATE-BOLT GUIDE . . . . .	0001	0176	01
181	2617117-1	. . . MOUNTING PLATE-BOLT GUIDE . . . . .	B0001	B0206	
- 182	2617117-2	. . . MOUNTING PLATE-BOLT GUIDE . . . . .	0117	0198	01
			B0207	B0242	
			0199	& ON	01
			B0243	& ON	

- ITEM NOT ILLUSTRATED

CESSNA®  
**MODEL 208**  
ILLUSTRATED PARTS CATALOG

A59758



**DETAIL A**

PASSENGER DOOR INSTALLATION UPPER WITHOUT STEPS AND WINDOW  
FIGURE 03 (SHEET 1)

2610T7005  
A2614T1371

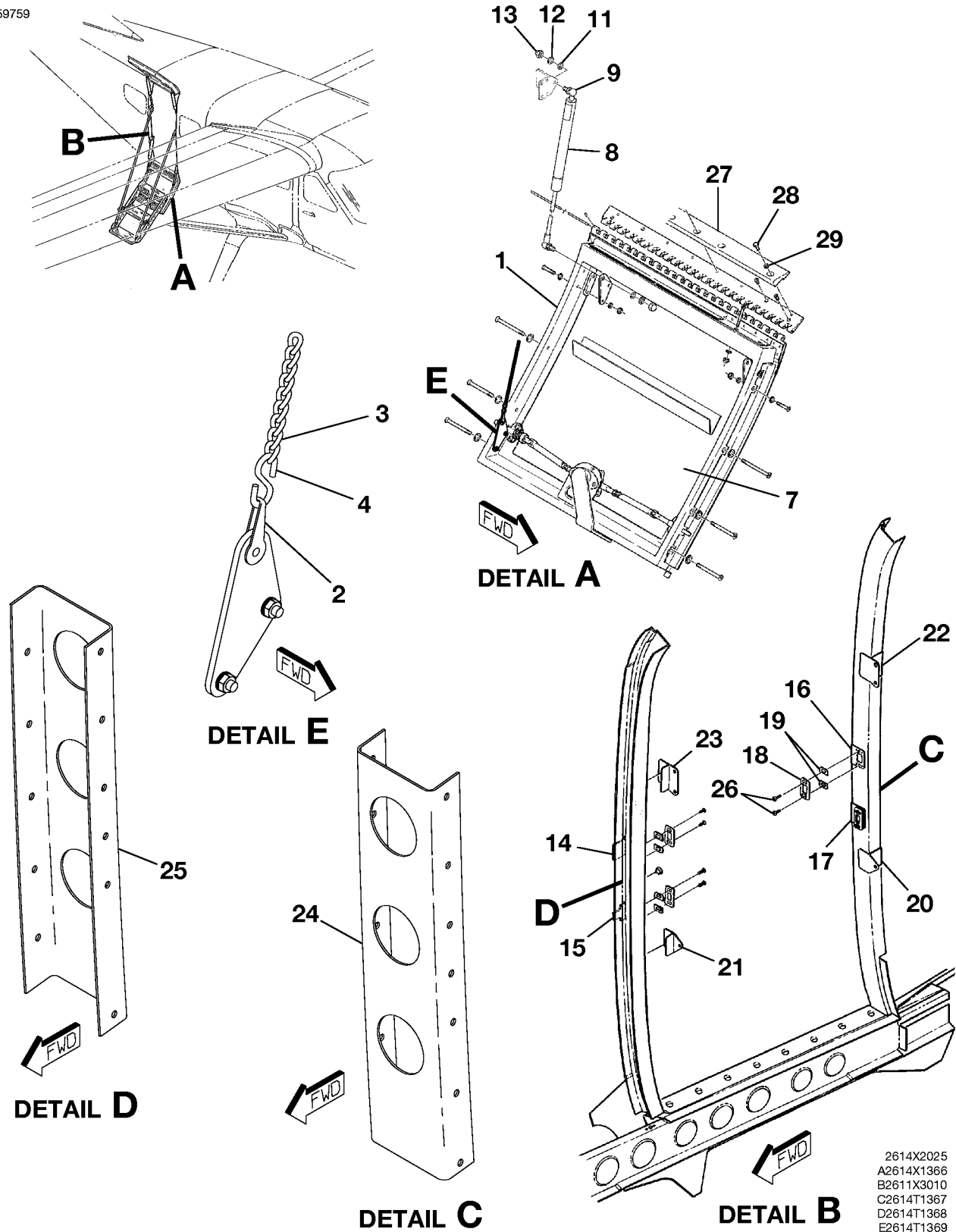
**CESSNA®**  
**MODEL 208**  
**ILLUSTRATED PARTS CATALOG**

FIG ITEM	PART NUMBER	NOMENCLATURE	UNITS	
			PER	ASSY
03		PASSENGER DOOR INSTALLATION UPPER WITHOUT STEPS AND WINDOW		RF
- 1	2698010-5	. PASSENGER DOOR UPPER HALF . . . . .	0001 0366	01
			B0001 B1016	
- 1A	2698010-8	. PASSENGER DOOR UPPER HALF . . . . .	0367 0384	01
			B1017 B1102	
- 1B	2698010-10	. PASSENGER DOOR UPPER HALF . . . . .	0385 & ON	01
			B1103 & ON	
2	CM3220-1	. HOOK . . . . .		04
		ATTACHING PARTS		
3	AN525-832R7	. SCREW . . . . .		06
		—*—		
4	CM2913-1	. CHAIN . . . . .		AR
5	AN42B4A	. EYE BOLT . . . . .		02
6	1118-114-02	. SPLIT RING . . . . .	V16421	01
- 6A	KR11	. SPLIT RING ALT FOR 1118-114-02 . . . . .	V71590	01
- 6B	MS20392-3C23	. PIN . . . . .		04
- 6C	MS24665-132	. COTTER PIN . . . . .		04
- 6D	NAS1149F0432P	. WASHER . . . . .		04
7	2611196-2	. CLOSURE ASSY . . . . .		01
8	NAS1149F0332P	. WASHER . . . . .		02
9	MS21044N3	. NUT . . . . .		02
- 10	C253001-0106	. LOCK ASSY KIT . . . . .	0367 0384	01
			B1017 B1102	
11	ASCV208B-7D	. LOCK SET . . . . .	0385 & ON	01
			B1103 & ON	
12	5211369-8	. DOOR EXTENDER ASSY . . . . .	0001 0583	NP R
			B0001 B5279	
- 12A	2611236-3	. DOOR EXTENDER ASSY . . . . .	0584 & ON	02 R
			B5280 & ON	
13	A9008	. BALL STUD . . . . .	V55787	04
- 14	657735	. SAFETY CLIP . . . . .	V55787	04
15	NAS1149F0563P	. WASHER . . . . .		04
16	MS35333-41	. WASHER LOCK FLAT . . . . .		04
17	S2467-2	. NUT . . . . .		04
18	2698010-3	. UPPER DOOR CLOSEOUT . . . . .		01

- ITEM NOT ILLUSTRATED

CESSNA®  
**MODEL 208**  
 ILLUSTRATED PARTS CATALOG

A59759



PASSENGER DOOR INSTALLATION LOWER WITHOUT STEPS AND WINDOW  
 FIGURE 04 (SHEET 1)

2614X2025  
 A2614X1366  
 B2611X3010  
 C2614T1367  
 D2614T1368  
 E2614T1369

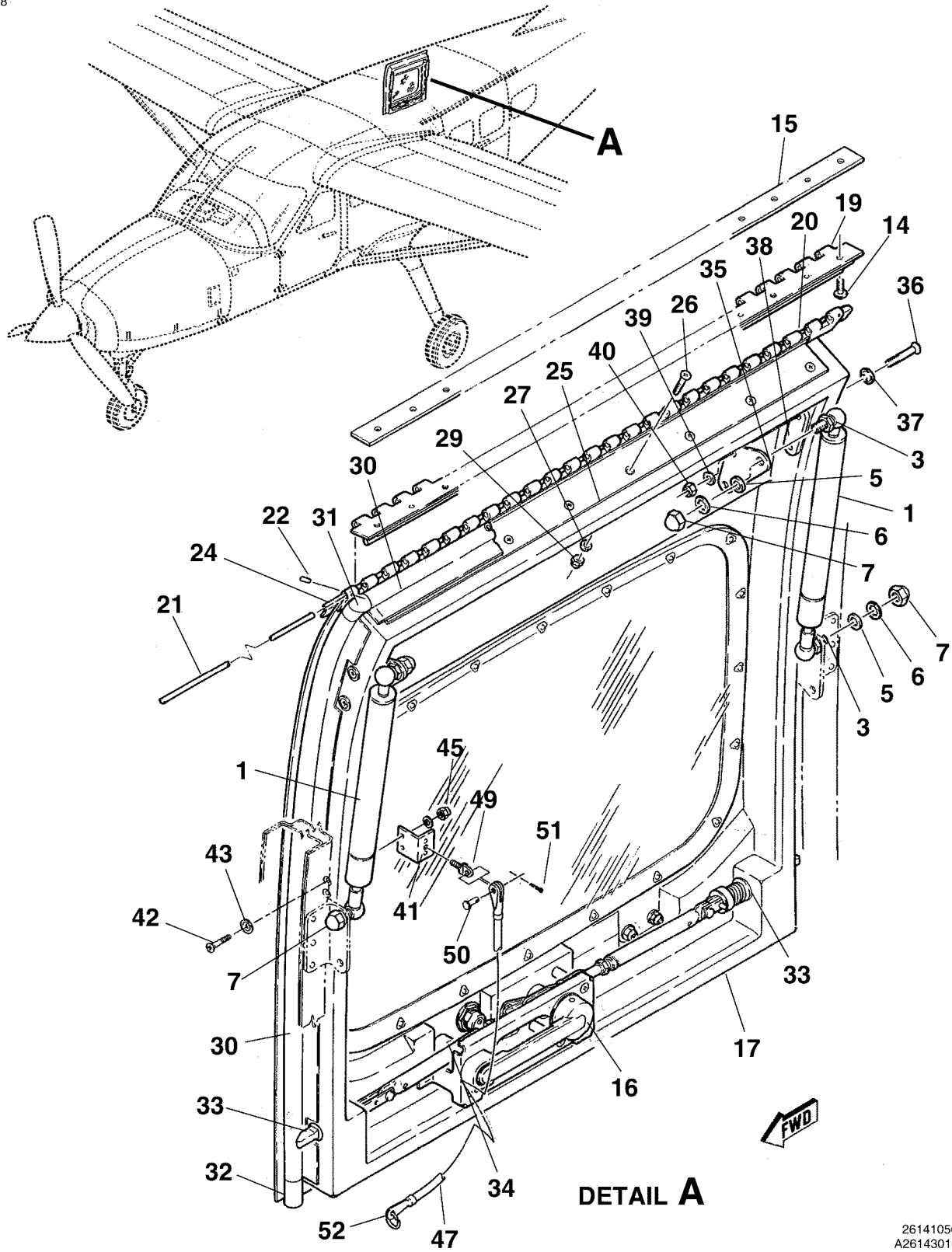
**CESSNA®**  
**MODEL 208**  
**ILLUSTRATED PARTS CATALOG**

FIG ITEM	PART NUMBER	NOMENCLATURE	UNITS	
			PER	ASSY
04		PASSENGER DOOR INSTALLATION LOWER WITHOUT STEPS AND WINDOW		RF
-				
1	2698010-4	. PASSENGER DOOR LOWER HALF FSO 2698010-7 . . . . .	0001 0366	NP
			B0001 B1016	
- 1A	2698010-7	. PASSENGER DOOR LOWER HALF . . . . .	0367 & ON	01
			B1017 & ON	
2	AN115-32	. . SHACKLE . . . . .		02
3	CM2913-1	. . CHAIN . . . . .		AR
4	CM3220-1	. . HOOK . . . . .		02
- 5	MS20392-3C23	. . PIN . . . . .		04
- 6	MS24665-132	. . COTTER PIN . . . . .		04
- 6A	NAS1149F0432P	. . WASHER . . . . .		04
7	2698010-2	. LOWER DOOR CLOSEOUT . . . . .		01
8	2115040-8	. GAS SPRING FSO 2615140-2 . . . . .	0001 0541	02
			B0001 B2381	
- 8A	2615140-1	. GAS SPRING FSO 2615140-3 . . . . .	0542 0583	NP R
			B2382 B5279	
- 8B	2615140-3	. GAS SPRING . . . . .	0584 & ON	02 R
			B5280 & ON	
9	A9008	. BALL STUD 55787 . . . . . V55787		04
- 10	657735	. SAFETY CLIP 55787 . . . . . V55787		04
11	NAS1149F0563P	. WASHER . . . . .		04
12	AN936A516	. WASHER . . . . .		04
13	S2467-2	. NUT . . . . .		04
14	2613340-1	. BUMPER . . . . .		03
15	2613340-2	. BUMPER . . . . .		01
16	2611183-1	. BUMPER . . . . .		02
17	2611183-2	. BUMPER . . . . .		02
18	2617039-1	. LATCH PLATE . . . . .		04
19	2617040-1	. SHIM . . . . .		08
20	2617065-1	. ATTACH BRACKET . . . . .		01
21	2617065-3	. ATTACH BRACKET . . . . .		01
22	2617075-1	. ATTACH BRACKET . . . . .		01
23	2617075-2	. ATTACH BRACKET . . . . .		01
24	2611170-2	. STIFFENER ASSY . . . . .		01
25	2611171-2	. STIFFENER ASSY . . . . .		01
26	MS24694-S50	. SCREW . . . . .		08
27	2611064-1	. TREAD ASSY . . . . .		01
28	AN3-6A	. BOLT . . . . .		06
29	NAS1149F0332P	. WASHER . . . . .		06

- ITEM NOT ILLUSTRATED

CESSNA®  
MODEL 208  
ILLUSTRATED PARTS CATALOG

A24838



PASSENGER DOOR INSTALLATION - UPPER  
FIGURE 01 (SHEET 1)

26141056  
A26143016

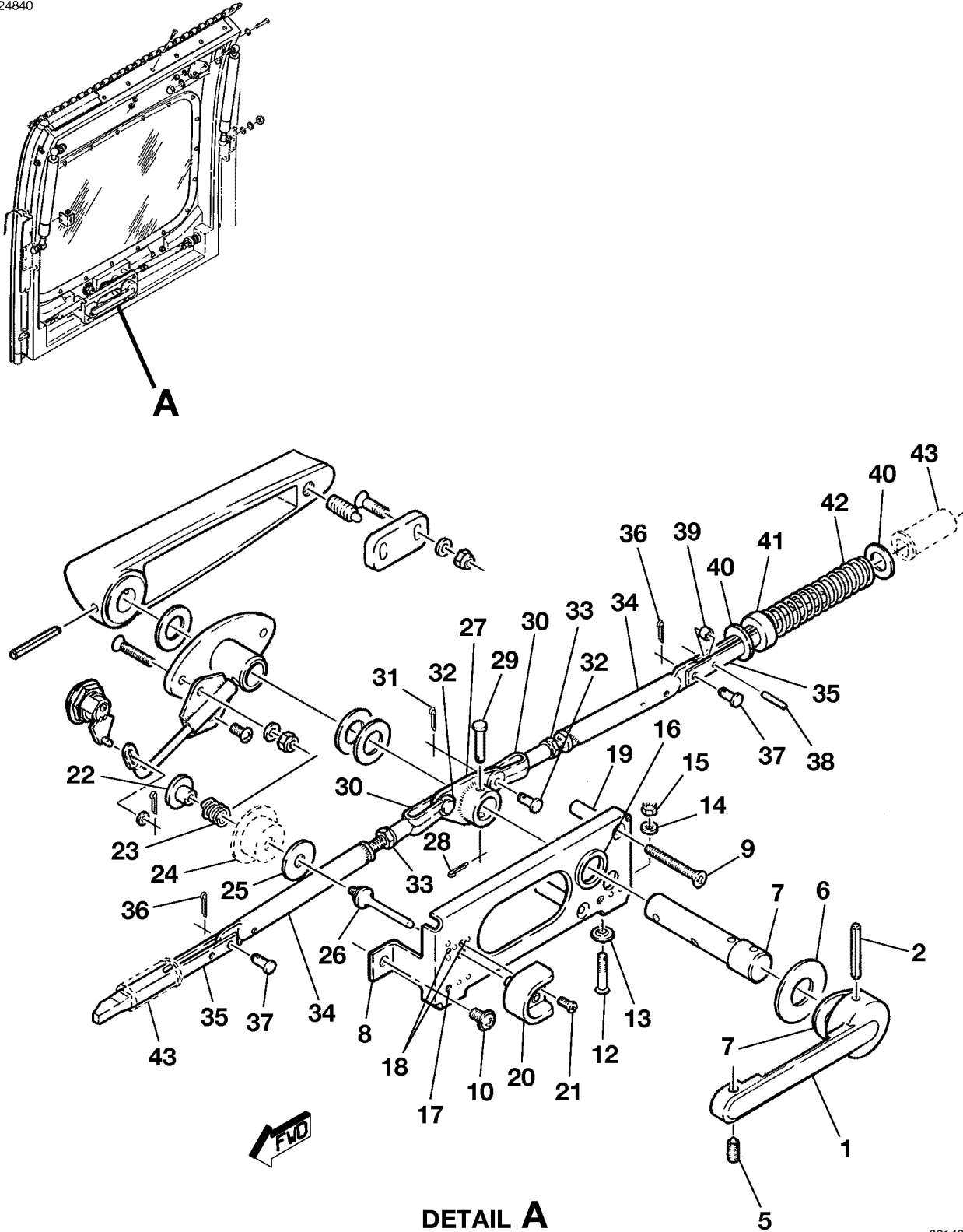
**CESSNA®**  
**MODEL 208**  
**ILLUSTRATED PARTS CATALOG**

FIG ITEM	PART NUMBER	NOMENCLATURE	UNITS PER ASSY		
			1	2	3
01		PASSENGER DOOR INSTALLATION - UPPER	0001	& ON	RF
-			B0214	& ON	
1	5211369-8	DOOR EXTENDER ASSY-GAS SPRING	0001	0541	02
			B0001	B2381	
- 2	5211369-12	DOOR EXTENDER ASSY-ALT FOR 5211369-8			02
- 2A	2611236-1	DOOR EXTENDER ASSY-GAS SPRING	0542	0583	02
			B2382	B5279	
- 2B	2611236-3	DOOR EXTENDER ASSY-GAS SPRING	0584	& ON	02
			B5280	& ON	
3	A9008	BALL STUD	V55787		02
- 3A	102431	BALL STUD ALT FOR A9008			02
- 4	657735	SAFETY CLIP	V55787		02
5	NAS1149F0563P	WASHER			02
6	MS35338-41	WASHER-LOCK			02
7	S2467-2	NUT			02
- 8	2617087-1	DOOR ASSY-PASSENGER UPPER FSO 2617087-32	0001	0006	NP
- 9	2617087-21	DOOR ASSY-PASSENGER UPPER FSO 2617087-32	0007	0008	NP
- 10	2617087-27	DOOR ASSY-PASSENGER UPPER FSO 2617087-32	0009	0044	NP
- 11	2617087-29	DOOR ASSY-PASSENGER UPPER FSO 2617087-32	0045	0099	NP
- 12	2617087-30	DOOR ASSY-PASSENGER UPPER FSO 2617087-32	0100	0196	NP
			B0214	B0227	
- 13	2617087-31	DOOR ASSY-PASSENGER UPPER FSO 2617087-32	0197	0235	NP
			B0228	B0372	
- 13A	2617087-32	DOOR ASSY-PASSENGER UPPER	0236	0366	01
			B0373	B1016	
- 13B	2617087-38	DOOR ASSY-PASSENGER UPPER	0367	0384	01
			B1017	B1102	
- 13C	2617087-42	DOOR ASSY-PASSENGER UPPER FSO 2617087-43	0385	0569	NP
			B1103	B5203	
- 13D	2617087-43	DOOR ASSY-PASSENGER UPPER	0570	0664	01 R
			B5204	B5603	
- 13E	2617087-46	DOOR ASSY-PASSENGER UPPER	0665	& ON	01 R
			B5604	& ON	
14	AN525-10R8	SCREW			08
15	2611200-2	SHIM - RH			AR
16		LATCH MECHANISM REFER TO 52-10-01 FIGURE 02			RF
17		DELETED -NOT USED			RF
- 18	2617017-1	HINGE ASSY-PASSENGER DOOR UPR			01
19	2617017-2	HINGE HALF ASSY			01
20	2617017-3	HINGE HALF			01
21	MS20253P4-2446	HINGE PIN			01
22	NAS561CF2-5	PIN			02
- 23	4962	RUBBER TAPE-BETWEEN HINGE AND DOOR			AR
24	2617092-2	DRIP RAIL			01
25	2617087-17	STIFFENER			01
26	MS24694-S11	SCREW			08
27	NAS1149FN816P	WASHER	0001	0366	02
			B0214	B1016	
- 28	AN970-3	WASHER			08
29	MS21044N08	NUT			08
30	S3973-1	SEAL-DOOR			AR
31	S2641-2	SEALING CORNER UPR ALT FOR S4377-3			02 R
32	S2641-1	SEALING CORNER LWR ALT FOR S4377-1			02 R
33	2617085-2	BUSHING-LATCH PIN GUIDE			02
34	2617082-2	HOUSING-SAFETY RELEASE			01
35	2617064-1	MOUNTING PLATE-GAS SPRING CYLINDER			02
36	MS24694-S62	SCREW			02
37	S1542-2	WASHER			02
38	2617099-1	SPACER			01
39	NAS1149F0332P	WASHER			02
40	MS21044N3	NUT			02
41	2615061-1	BRACKET ASSY-DOOR PULL			01
42	MS24694-S11	SCREW			02
43	S1542-1	WASHER			02
- 44	NAS1149F0363P	WASHER	0001	0366	02
			B0001	B1016	
45	MS21044N08	NUT			02
- 46	MS21047L3	NUTPLATE			01
47	S2660-1	CABLE ASSY-DOOR PULL FSO S2814-2	0001	0168	NP
- 48	S2814-2	CABLE ASSY-DOOR PULL	0169	& ON	01
			B0214	& ON	
49	AN42B4A	EYE BOLT			01
50	MS20392-2C13	PIN			01
51	MS24665-132	COTTER PIN			01
52	1118-114-02	SPLIT RING	V16421		01
- 52A	KR11	SPLIT RING ALT FOR 1118-114-02	V71590		01

- ITEM NOT ILLUSTRATED

CESSNA®  
**MODEL 208**  
ILLUSTRATED PARTS CATALOG

A24840



**DETAIL A**

LATCH MECHANISM - UPPER PASSENGER DOOR  
FIGURE 02 (SHEET 1)

26143016  
A26142023



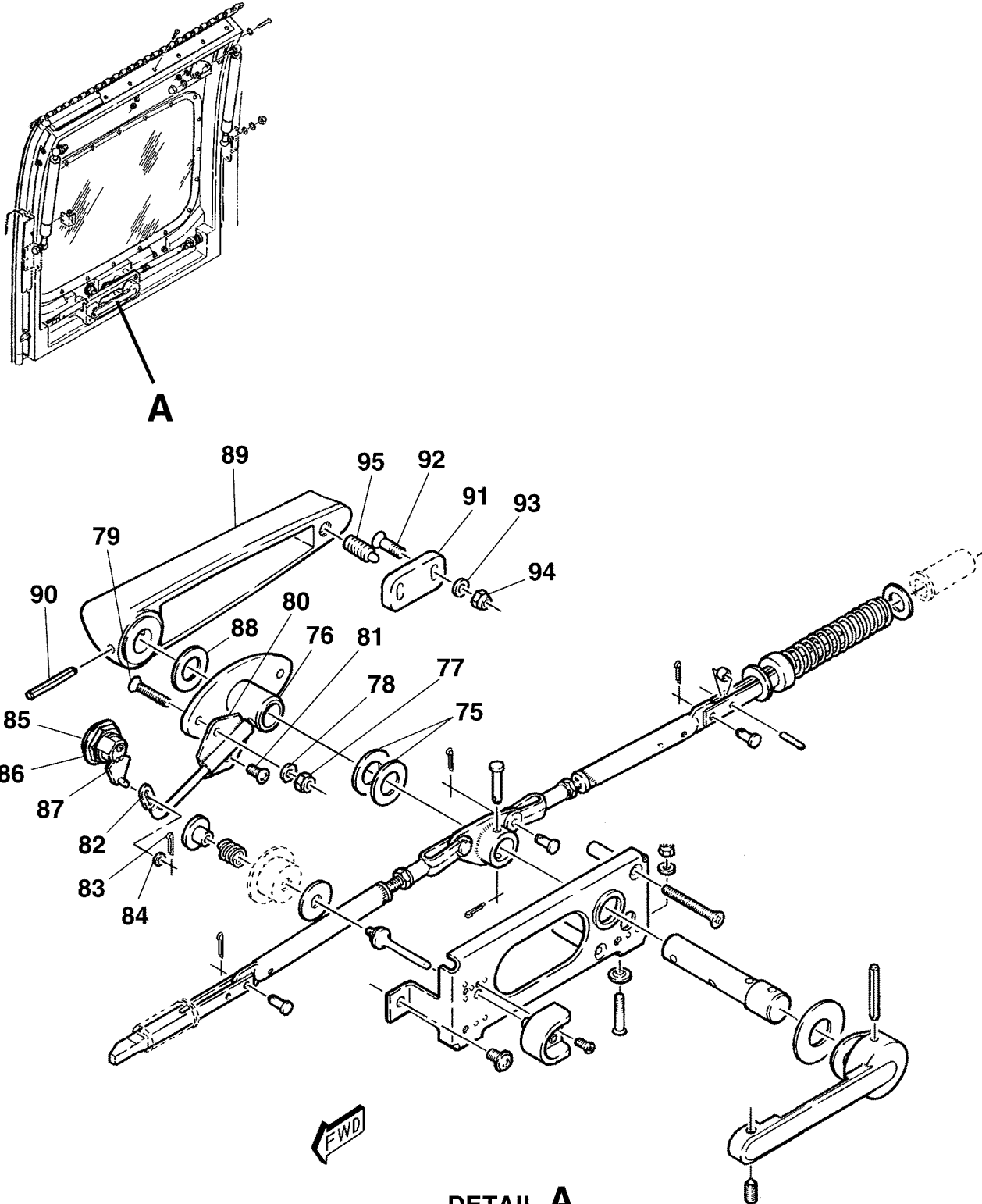
**CESSNA®**  
**MODEL 208**  
**ILLUSTRATED PARTS CATALOG**

FIG ITEM	PART NUMBER	NOMENCLATURE	UNITS		
			PER ASSY		
02		LATCH MECHANISM - UPPER PASSENGER DOOR	0001	& ON	RF
-			B0214	& ON	
1	5319026-1	HANDLE ASSY-INBOARD UPPER PASSENGER DOOR . . . . .			01
		ATTACHING PARTS			
2	NAS561P6-24	PIN . . . . .			01
- 2A	MS16562-52	PIN ALT FOR NAS561P6-24 . . . . .			01
		*—			
- 3	5111520-3	SPRING . . . . .			01
		ATTACHING PARTS			
- 4	MS24693-S4	SCREW . . . . .			02
		*—			
5	CL43SPS1	SPRING PLUNGER . . . . .	V99862		01
6	5111374-1	ESCUTCHEON PLATE . . . . .			AR
7	2617083-2	SPINDLE-DOOR HANDLE . . . . .			01
8	2617041-2	SUPPORT ASSY-RH-INBOARD DOOR HANDLE . . . . .			01
		ATTACHING PARTS			
9	AN505-10R30	SCREW . . . . .			02
10	AN525-416R6	SCREW USE WITH 2617087-1, -21 & -27 DOOR . . . . .	0001	0044	01
- 11	MS35206-277	SCREW USE WITH 2617087-29 DOOR . . . . .	0045	& ON	01
			B0214	& ON	
12	MS24694-S11	SCREW . . . . .			02
13	S1542-1	WASHER . . . . .			02
14	NAS1149FN816P	WASHER . . . . .			02
15	MS21044N08	NUT . . . . .			02
		*—			
16	S1004-48A	BEARING . . . . .			01
17	MS21051L08	NUTPLATE . . . . .			02
18	MS21069L04	NUTPLATE . . . . .			02
19	2617107-1	COLLAR-BELLCRANK STOP . . . . .			AR
20	2617081-2	LOCK PLATE ASSY . . . . .			01
		ATTACHING PARTS			
21	MS24693-S4	SCREW . . . . .			02
		*—			
22	5711675-4	BUTTON . . . . .			01
23	5711675-2	SPRING . . . . .			01
24		HOUSING REFER TO 52-10-01 FIGURE 01 . . . . .			RF
25	5711675-3	WASHER . . . . .			01
26	2617082-1	PIN-SAFETY RELEASE . . . . .			01
27	2617046-2	BELLCRANK ASSY-PASSENGER DOOR . . . . .			01
		ATTACHING PARTS			
28	MS24665-132	COTTER PIN . . . . .			01
29	MS20392-2C29	PIN . . . . .			01
		*—			
30	MS27975-4	CLEVIS . . . . .			02
		ATTACHING PARTS			
31	MS24665-132	COTTER PIN . . . . .			01
32	MS20392-2C11	PIN . . . . .			01
		*—			
33	AN316-4R	NUT . . . . .			02
34	2617042-3	TUBE ASSY . . . . .			02
35	2617043-1	LATCH PIN . . . . .			02
		ATTACHING PARTS			
36	MS24665-132	COTTER PIN . . . . .			01
37	MS20392-2C13	PIN . . . . .			01
		*—			
38	NAS561CF4-14	PIN . . . . .			01
39	NAS43HT1-12	SPACER . . . . .			01
40	NAS1149F0832P	WASHER . . . . .			02
41	5111506-8	CUP . . . . .			01
42	5111527-1	SPRING . . . . .			01
43		BUSHING-LATCH PIN GUIDE REFER TO 52-10-01 FIGURE 01 . . . . .			RF

- ITEM NOT ILLUSTRATED

CESSNA®  
**MODEL 208**  
ILLUSTRATED PARTS CATALOG

A24844



**DETAIL A**  
LATCH MECHANISM - UPPER PASSENGER DOOR  
FIGURE 02 (SHEET 2)

26143016  
A26142023

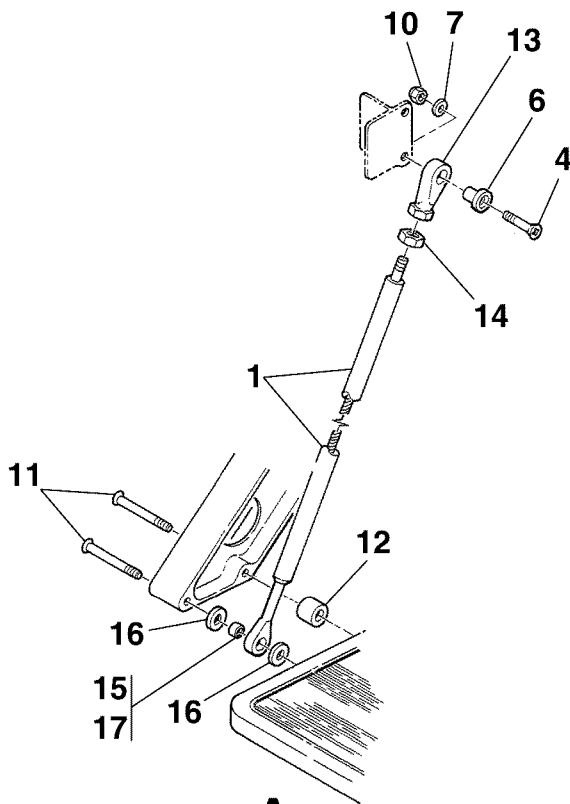
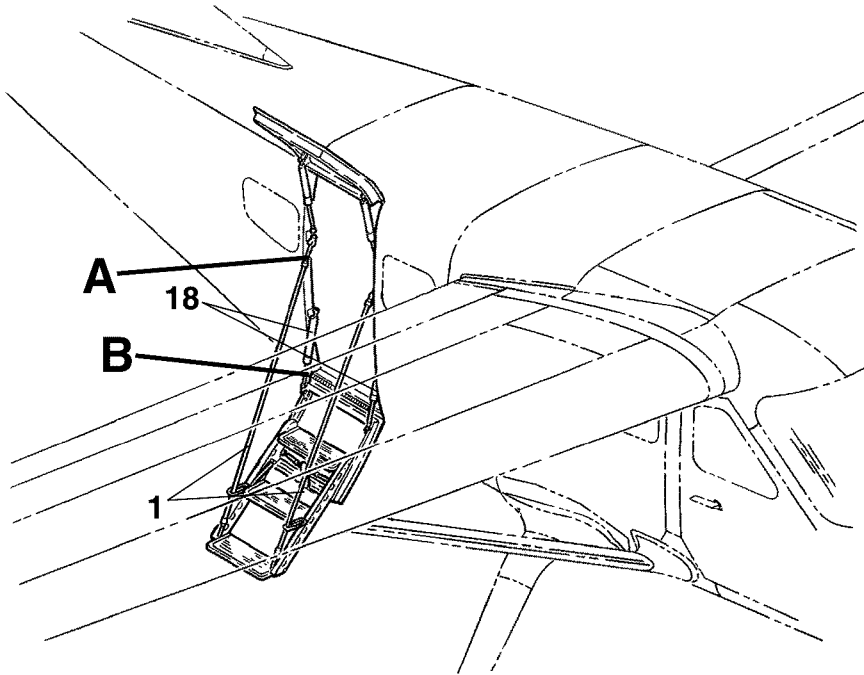
**CESSNA®  
MODEL 208  
ILLUSTRATED PARTS CATALOG**

FIG ITEM	PART NUMBER	NOMENCLATURE	UNITS PER ASSY	
			1 2 3 4 5 6 7	
02				
75	NAS1149F1032P	. WASHER . . . . .		02
76	2617036-3	. ESCUTCHEON-DOOR HANDLE . . . . .	0001 0569	01 R
- 76A	2617036-6	. ESCUTCHEON-DOOR HANDLE . . . . .	B0001 B5203 0570 & ON B5204 & ON	01 R
		ATTACHING PARTS		
77	MS21044N3	. NUT . . . . .		02
78	NAS1149F0332P	. WASHER . . . . .		02
79	MS24693-S277	. SCREW . . . . .		02
		—*—		
80	2617033-1	. GUIDE ASSY-DOOR LOCK PIN . . . . .		01
		ATTACHING PARTS		
81	MS35206-261	. SCREW . . . . .		01
		—*—		
82	2617032-4	. PIN-DOOR LOCK . . . . .		01
		ATTACHING PARTS		
83	MS24665-132	. COTTER PIN . . . . .		01
84	NAS1149FN432P	. WASHER . . . . .		01
		—*—		
85	C253001-0102	. LOCK ASSY-DOOR REFER TO NOTE 1 . . . . .	0001 0384	01
			B0214 B1102	
- 85A	ASCV208B-3D	. LOCK SET-DOOR . . . . .	V1DWF8 0385 B1103 & ON	01
		ATTACHING PARTS		
86	S1450-19A18-040	. WASHER . . . . .	0001 0384	01
		—*—	B0214 B1102	
87	0717024-16	. CAM ASSY-DOOR LOCK . . . . .	0001 0384	01
			B0214 B1102	
88	S1438-24	. WASHER . . . . .		01
89	2617094-6	. HANDLE-OUTBOARD UPPER PASSENGER DOOR FSO 2617094-8 . . . . .	0001 0569	NP R
			B0001 B5203	
- 89A	2617094-8	. HANDLE-OUTBOARD UPPER PASSENGER DOOR . . . . .	0570 & ON B5204 & ON	01 R
		ATTACHING PARTS		
90	NAS561P6-24	. PIN . . . . .		01
- 90A	MS16562-52	. PIN ALT FOR NAS561P6-24 . . . . .		01
		—*—		
91	2617102-1	. CATCH PLATE . . . . .		01
		ATTACHING PARTS		
92	MS24693-S53	. SCREW . . . . .		02
93	NAS1149F0332P	. WASHER . . . . .		02
94	MS21044N3	. NUT . . . . .		02
		—*—		
95	K5SN	. PLUNGER . . . . .	V01599	01

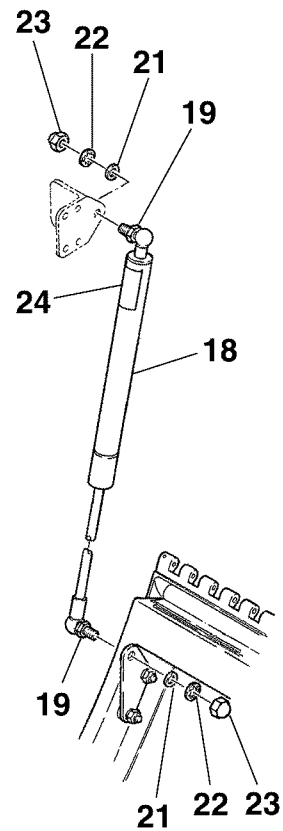
NOTE 1—WHEN ORDERING THIS PART PROVIDE LOCK PART NUMBER OR ORDER C253001-0106 LOCK KIT CONSISTING OF 3 KEYED-ALIKE LOCK AND 6 KEYS

CESSNA®  
**MODEL 208**  
 ILLUSTRATED PARTS CATALOG

A24846



**DETAIL A**



**DETAIL B**

PASSENGER DOOR AND STEP INSTALLATION - LOWER  
 FIGURE 01 (SHEET 1)

26142025  
 A26142026A  
 B26142027

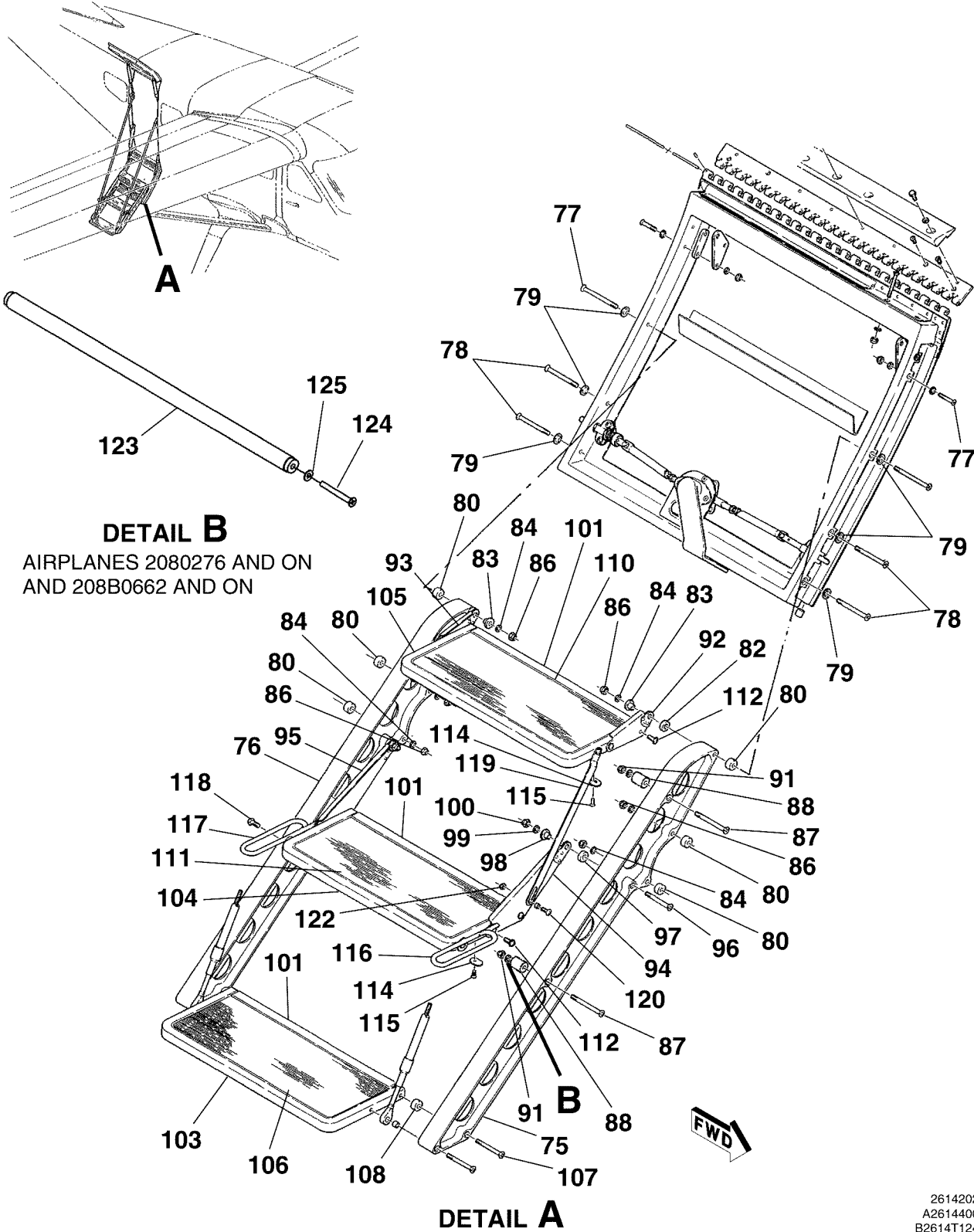
**CESSNA®**  
**MODEL 208**  
**ILLUSTRATED PARTS CATALOG**

FIG ITEM	PART NUMBER	NOMENCLATURE	UNITS PER ASSY		
			1	2	3
01		PASSENGER DOOR AND STEP INSTALLATION - LOWER			
-			0001	& ON	RF
			B0214	& ON	
1	S2651-1	. CABLE-PASSENGER DOOR STEP FSO S2837-1 . . . . .	0001	0168	NP
- 2	S2837-1	. CABLE ASSY-PASSENGER DOOR STEP . . . . .	0169	& ON	02
- 3	S2837-2	. CABLE ASSY-PASSENGER DOOR STEP FLOAT PLANE . . . . .	0169	& ON	02
		ATTACHING PARTS			
4	MS24694-S109	. SCREW . . . . .	0001	0168	01
- 5	NAS222-19	. SCREW . . . . .	0169	& ON	01
6	2617071-1	. BUSHING . . . . .			01
7	NAS1149F0432P	. WASHER . . . . .	0001	0168	01
- 8	NAS1149F0432P	. WASHER UNDER HEAD OF SCREW . . . . .	0169	& ON	01
- 9	NAS1149F0463P	. WASHER UNDER NUT . . . . .	0169	& ON	02
10	MS21044N4	. NUT . . . . .			01
11	MS24694-S126	. SCREW . . . . .			01
12	2617066-2	. SPACER . . . . .			01
		—*—			
13	MS21153-6	. BEARING . . . . .	0169	& ON	02
14	AN316C5R	. NUT . . . . .	0169	& ON	02
15	NAS43HT4-20	. SPACER . . . . .			02
16	NAS1149F0563P	. WASHER 1 ON EACH SIDE OF CABLE ASSY . . . . .	0169	& ON	04
17	S2614-4-14	. BUSHING . . . . .	0169	& ON	02
18	2115040-8	. GAS SPRING-CYLINDER . . . . .	0001	0541	02
			B0214	B2381	
- 18A	2615140-1	. GAS SPRING ASSY FSO 2615140-3 . . . . .	0542	0583	NP
			B2382	B5279	
- 18B	2615140-3	. GAS SPRING ASSY . . . . .	0583	& ON	02
			B5280	& ON	
		ATTACHING PARTS			
19	A9008	. BALL STUD 55787 . . . . .	V55787		02
- 19A	102431	. BALL STUD 55787 ALT FOR A9008 . . . . .			02
- 20	657735	. SAFETY CLIP . . . . .	V55787		02
21	NAS1149F0563P	. WASHER . . . . .			02
22	MS35333-41	. WASHER-LOCK . . . . .			02
23	S2467-2	. NUT . . . . .			02
		—*—			
24		. . . PLACARD-GAS CYLINDER REFER TO 11-XA-38 FIGURE 01 . . . . .			RF

- ITEM NOT ILLUSTRATED

CESSNA®  
**MODEL 208**  
 ILLUSTRATED PARTS CATALOG

A24823



PASSENGER DOOR AND STEP INSTALLATION - LOWER  
 FIGURE 01 (SHEET 2)

26142025  
 A26144006  
 B2614T1241

**CESSNA®**  
**MODEL 208**  
**ILLUSTRATED PARTS CATALOG**

FIG ITEM	PART NUMBER	NOMENCLATURE	UNITS PER ASSY	
			1 2 3 4 5 6 7	
01				
75	2617063-2	. RAIL-PASSENGER DOOR STEP FWD . . . . .		01
76	2617063-3	. RAIL-PASSENGER DOOR STEP AFT . . . . .		01
77	AN509-416R54	. SCREW-RAIL ATTACH . . . . .		01
78	MS24694-S135	. SCREW-RAIL ATTACH . . . . .		02
79	S1542-3	. WASHER-RAIL ATTACH . . . . .		03
80	2617066-2	. SPACER-RAIL ATTACH . . . . .	0001 0207	03
			B0214 B0279	
- 81	2617123-1	. SPACER-RAIL ATTACH . . . . .	0208 & ON	03
			B0280 & ON	
82	2617066-4	. SPACER-RAIL ATTACH . . . . .		01
83	2617070-1	. BUSHING-RAIL ATTACH . . . . .		01
84	NAS1149F0432P	. WASHER-RAIL ATTACH . . . . .	0001 0207	03
			B0214 B0279	
- 85	NAS1149F0463P	. WASHER-RAIL ATTACH . . . . .	0208 & ON	11
			B0280 & ON	
86	MS21044N4	. NUT-RAIL ATTACH . . . . .		03
87	MS24694-S135	. SCREW REFER TO NOTE 1 . . . . .		04
88	2617066-1	. SPACER REFER TO NOTE 1 . . . . .		04
- 89	S2662-1	. TUBING 1.00 IN LG BKI . . . . .		04
- 90	NAS1149F0432P	. WASHER . . . . .		04
91	MS21044N4	. NUT REFER TO NOTE 1 . . . . .		04
92	2617073-1	. ARM ASSY-PASSENGER DOOR STEP FWD . . . . .		01
93	2617073-2	. ARM ASSY-PASSENGER DOOR STEP AFT . . . . .		01
94	2617067-1	. ARM ASSY-PASSENGER DOOR STEP FWD . . . . .		01
95	2617067-2	. ARM ASSY-PASSENGER DOOR STEP AFT . . . . .		01
96	MS24694-S126	. SCREW-ARM ASSY ATTACH . . . . .		01
97	2617066-4	. SPACER-ARM ASSY ATTACH . . . . .		01
98	2617070-1	. BUSHING-ARM ASSY ATTACH . . . . .		01
99	NAS1149F0432P	. WASHER-ARM ASSY ATTACH . . . . .		01
100	MS21044N4	. NUT-ARM ASSY ATTACH . . . . .		01
101	2617069-4	. TRIM STRIP-STEP . . . . .	0001 0403	03
			B0214 B1226	
- 101A	2617069-5	. TRIM STRIP-STEP . . . . .	0404 & ON	03
			B1227 & ON	
- 102	S1021A4-6C	. SCREW-TRIM STRIP ATTACH . . . . .		04
103	2617069-1	. TRIM STRIP-LOWER DOOR STEP . . . . .	0001 0403	01
			B0214 B1226	
104	2617069-3	. TRIM STRIP-MIDDLE DOOR STEP . . . . .	0001 0403	01
			B0214 B1226	
105	2617069-2	. TRIM STRIP-UPPER DOOR STEP . . . . .	0001 0403	01
			B0214 B1226	
- 105A	2617069-5	. TRIM STRIP-LOWER, MIDDLE, AND UPPER DOOR STEP . . . . .	0404 & ON	01
			B1227 & ON	
- 105B	2617072-1	. COVER . . . . .	0404 & ON	01
			B1227 & ON	
106	2617076-1	. STEP ASSY-PASSENGER DOOR LWR . . . . .		01
107	AN509-416R39	. SCREW-STEP ASSY ATTACH . . . . .		02
- 107A	MS24694-S26	. SCREW-STEP ASSY ATTACH ALT FOR AN509-416R39 . . . . .		02
108	2617066-2	. SPACER-STEP ASSY ATTACH . . . . .		02
- 109	2617076-3	. TREAD-DOOR STEP . . . . .		01
110	2617076-10	. STEP ASSY-PASSENGER DOOR UPPER . . . . .		01
111	2617076-11	. STEP ASSY-PASSENGER DOOR MIDDLE . . . . .		01
112	AN525-416R9	. SCREW-STEP ASSY ATTACH . . . . .		04
- 113	2617076-3	. TREAD-DOOR STEP . . . . .		01
114	2517146-1	. TAB-DOOR STEP . . . . .		04
115	MS24693-S49	. SCREW-TAB ATTACH . . . . .		01
116	2617101-1	. EXTENSION ASSY-FWD . . . . .		01
117	2617101-2	. EXTENSION ASSY-AFT . . . . .		01
118	AN525-416R10	. SCREW-EXTENSION ASSY ATTACH . . . . .		01
119	2617101-4	. STRAP . . . . .		01
120	AN525-10R8	. SCREW-STRAP ATTACH . . . . .		02
- 121	NAS43HT3-6	. SPACER-STRAP ATTACH . . . . .		02
122	MS21044N3	. NUT-STRAP ATTACH . . . . .		01
123	2617125-1	. SUPPORT ASSY REFER TO NOTE 2 . . . . .	0276 & ON	01
			B0662 & ON	
124	MS24694-S119	. SCREW REFER TO NOTE 2 . . . . .	0276 & ON	02
			B0662 & ON	
125	S1450-4S10-032	. WASHER REFER TO NOTE 2 AND NOTE 3 . . . . .	0276 & ON	AR
			B0662 & ON	

NOTE 1—AIRPLANES -0001 THRU -0275 AND -B0214 THRU -B0667 NOT INCORPORATING SK208-133.

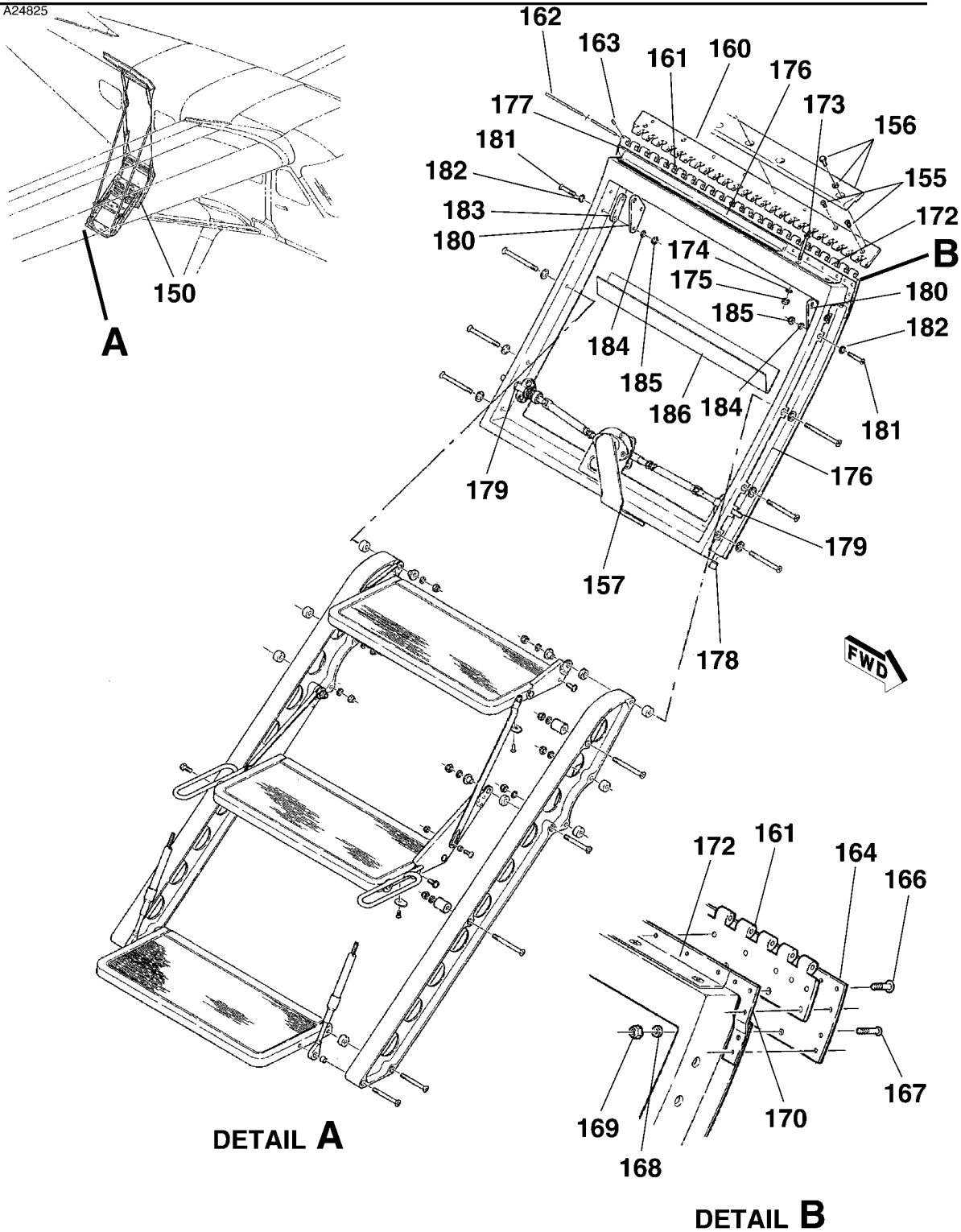
NOTE 2—AIRPLANES -0276 AND ON AND -B0668 AND ON, AND AIRPLANES -0001 THRU -0275 AND -B0214 THRU -B0667 INCORPORATING SK208-133.

NOTE 3—PERMISSIBLE TO USE AS MANY WASHERS AS NEEDED TO FILL ANY GAP BETWEEN SPACER AND COMPOSITE STRUCTURE

- ITEM NOT ILLUSTRATED

CESSNA®  
MODEL 208  
ILLUSTRATED PARTS CATALOG

A24825



PASSENGER DOOR AND STEP INSTALLATION - LOWER  
FIGURE 01 (SHEET 3)

26142025  
A26144006  
B26141055

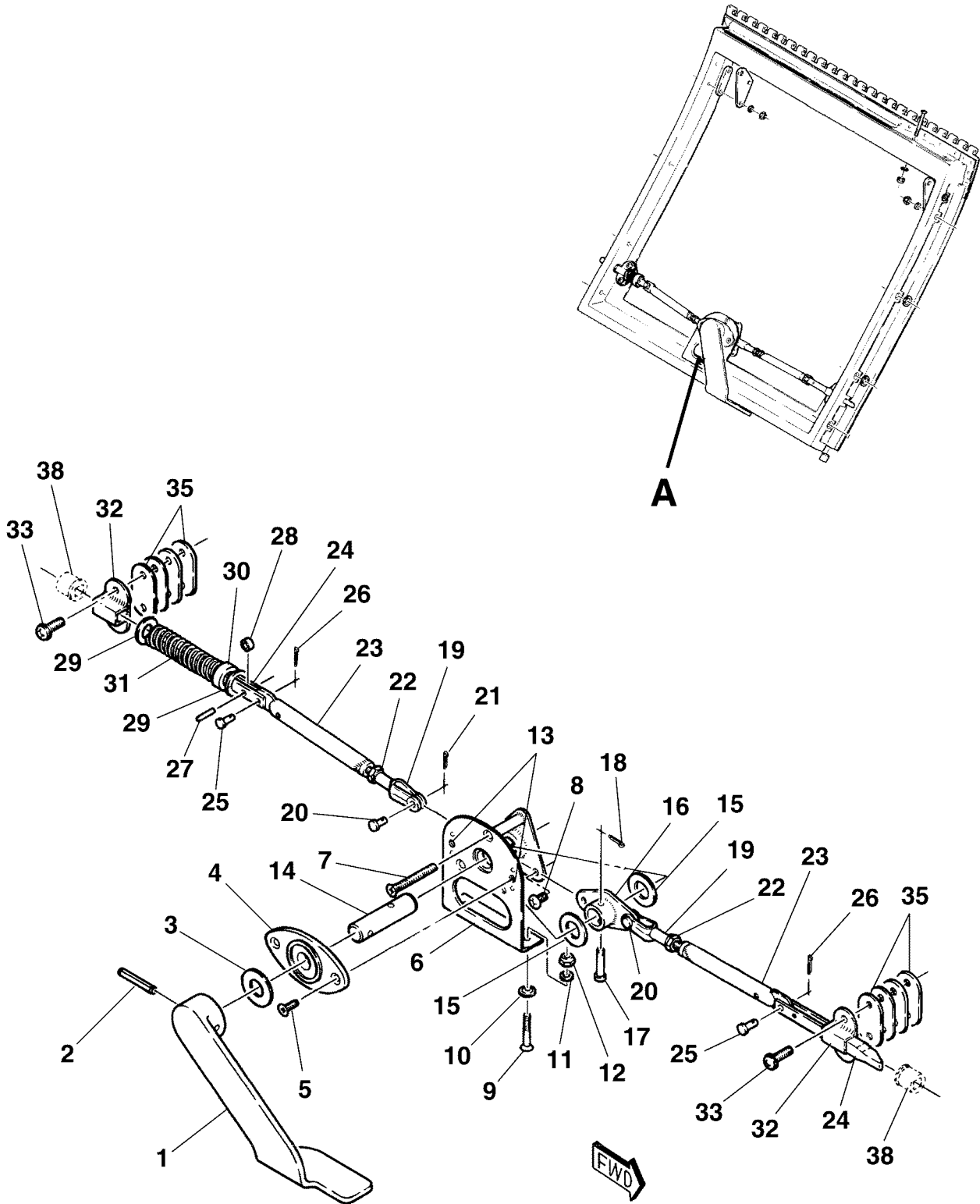


**CESSNA®  
MODEL 208  
ILLUSTRATED PARTS CATALOG**

FIG ITEM	PART NUMBER	NOMENCLATURE	UNITS PER ASSY		
			1	2	3
01					
150	2617091-1	. PASSENGER DOOR ASSY-LOWER FSO 2617091-36 . . . . .	0001	0008	NP
- 151	2617091-21	. PASSENGER DOOR ASSY-LOWER FSO 2617091-36 . . . . .	0009	0044	NP
- 152	2617091-23	. PASSENGER DOOR ASSY-LOWER FSO 2617091-36 . . . . .	0045	0099	NP
- 153	2617091-24	. PASSENGER DOOR ASSY-LOWER FSO 2617091-36 . . . . .	0100	0231	NP
			B0214	B0347	
- 154	2617091-25	. PASSENGER DOOR ASSY-LOWER FSO 2617091-36 . . . . .	0232	0366	NP
			B0348	B1016	
- 154A	2617091-34	. PASSENGER DOOR ASSY-LOWER FSO 2617091-36 . . . . .	0367	0569	NP
			B1017	B5203	
- 154B	2617091-36	. PASSENGER DOOR ASSY . . . . .	0570	0614	01 R
			B5204	B5451	
- 154C	2617091-37	. PASSENGER DOOR ASSY . . . . .	0615	& ON	01 R
			B5452	& ON	
		ATTACHING PARTS			
155	MS24693-S53	. SCREW . . . . .			04
		—*—			
156		. . . CARGO DOOR JAMB STRUCTURE REFER TO 53-13-02 FIGURE 01 . . . .			RF
157		. . . LATCH MECHANISM REFER TO 52-10-02 FIGURE 02 . . . . .			RF
- 158		. . . DELETED -NOT USED . . . . .			RF
- 159	2617016-1	. . . HINGE ASSY-PASSENGER DOOR LOWER . . . . .			01
160	2617016-2	. . . HINGE HALF . . . . .			01
161	2617016-3	. . . HINGE HALF . . . . .			01
162	MS20253P5-2426	. . . HINGE PIN . . . . .			01
163	NAS561CF2-6	. . . PIN . . . . .			02
164	2617091-19	. . . DOUBLER-OUTER . . . . .			01
- 165	2617091-16	. . . DOUBLER . . . . .	0001	0614	01 R
			B0214	B5451	
- 165A	2617091-38	. . . DOUBLER . . . . .	0615	& ON	01 R
			B5452	& ON	
		ATTACHING PARTS			
166	MS35206-265	. . . SCREW . . . . .			08
167	MS27039-0814	. . . SCREW . . . . .			11
168	NAS1149FN816P	. . . WASHER . . . . .			11
169	MS20365-832	. . . NUT . . . . .			11
		—*—			
170	2617091-18	. . . STIFFENER-FWD . . . . .			01
- 171	2617091-17	. . . STIFFENER-AFT . . . . .			01
172	2617091-15	. . . STIFFENER . . . . .			01
		ATTACHING PARTS			
173	MS24694-S73	. . . SCREW . . . . .			08
174	NAS1149F0332P	. . . WASHER . . . . .			08
175	MS21044N3	. . . NUT . . . . .			08
		—*—			
176	S3973-1	. . . SEAL-DOOR . . . . .			AR
177	S2641-2	. . . SEALING CORNER-EQU FOR S4377-3 . . . . .			02
178	S2641-3	. . . SEALING PLUG-EQU FOR S4377-2 . . . . .			02
179	2617085-1	. . . BUSHING-LATCH PIN GUIDE . . . . .			02
180	2617064-1	. . . MOUNTING PLATE-GAS SPRING CYLINDER . . . . .			02
		ATTACHING PARTS			
181	MS24694-S62	. . . SCREW . . . . .			02
182	S1542-2	. . . WASHER . . . . .			02
183	2617099-1	. . . SPACER . . . . .			01
184	NAS1149F0332P	. . . WASHER . . . . .			02
185	MS21044N3	. . . NUT . . . . .			02
		—*—			
186	2615074-1	. . . SUPPORT-SCUFF PLATE . . . . .			01

CESSNA®  
**MODEL 208**  
 ILLUSTRATED PARTS CATALOG

A24826



LATCH MECHANISM - LOWER PASSENGER DOOR  
 FIGURE 02 (SHEET 1)

26143018  
 A26143017

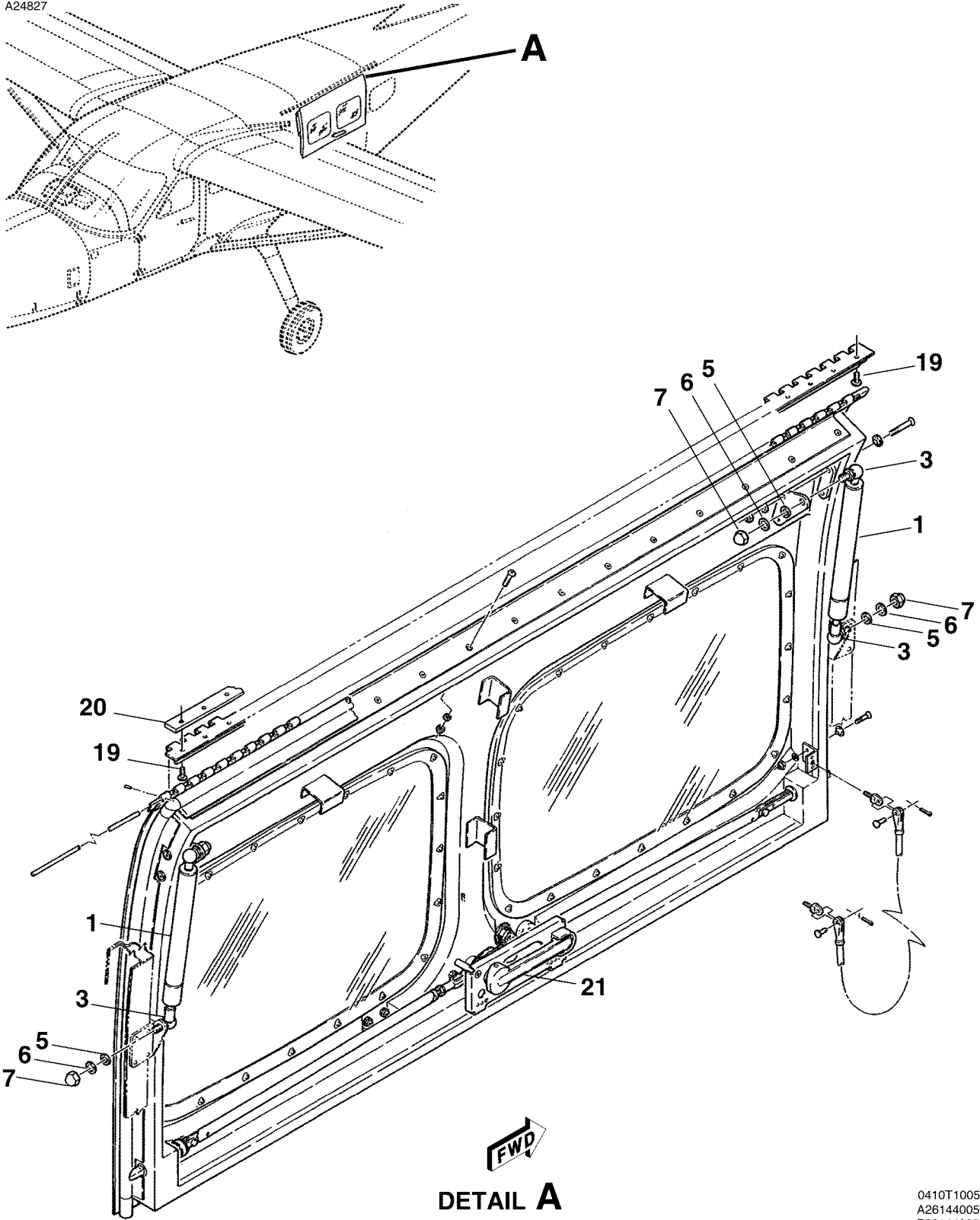
**CESSNA®**  
**MODEL 208**  
**ILLUSTRATED PARTS CATALOG**

FIG ITEM	PART NUMBER	NOMENCLATURE	UNITS PER ASSY		
			1	2	3
02		LATCH MECHANISM - LOWER PASSENGER DOOR	0001	& ON	RF
-			B0214	& ON	
1	2617077-2	. DOOR HANDLE ASSY-LOWER PASSENGER . . . . .	0001	0569	01 R
			B0214	B5203	
- 1A	2617077-7	. DOOR HANDLE ASSY-LOWER PASSENGER . . . . .	0570	& ON	01 R
			B5204	& ON	
		ATTACHING PARTS			
2	NAS561P6-24	. PIN . . . . .			01
- 2A	MS16562-52	. PIN ALT FOR NAS561P6-24 . . . . .			01
		—*—			
3	S1438-24	. WASHER-NYLON . . . . .			01
4	2617036-2	. ESCUTCHEON-DOOR HANDLE FSO 2617036-2 . . . . .	0001	0569	NP R
			B0214	B5203	
- 4A	2617036-7	. ESCUTCHEON-DOOR HANDLE . . . . .	0570	& ON	01 R
			B5204	& ON	
		ATTACHING PARTS			
5	MS24693-S273	. SCREW . . . . .			02
		—*—			
6	2617048-6	. MOUNT ASSY-PASSENGER DOOR HANDLE . . . . .			01
		ATTACHING PARTS			
7	AN505-10R30	. SCREW . . . . .			02
8	MS35206-261	. SCREW . . . . .			01
9	MS24694-S17	. SCREW . . . . .			02
10	S1542-1	. WASHER . . . . .			02
11	NAS1149FN816P	. WASHER . . . . .			02
12	MS21044N08	. NUT . . . . .			02
		—*—			
13	MS21059L3	. NUTPLATE . . . . .			02
14	2617049-1	. SPINDLE-DOOR HANDLE . . . . .			01
15	NAS1149F1032P	. WASHER . . . . .			AR
16	2617050-4	. BELLCRANK ASSY . . . . .			01
		ATTACHING PARTS			
17	MS20392-2C29	. PIN . . . . .			01
18	MS24665-132	. COTTER PIN . . . . .			01
		—*—			
19	MS27975-4	. CLEVIS . . . . .			02
		ATTACHING PARTS			
20	MS20392-2C11	. PIN . . . . .			02
21	MS24665-132	. COTTER PIN . . . . .			02
		—*—			
22	AN316-4R	. NUT . . . . .			02
23	2617042-3	. TUBE ASSY-PASSENGER DOOR . . . . .			02
24	2617043-1	. LATCH PIN-PASSENGER DOOR . . . . .			02
		ATTACHING PARTS			
25	MS20392-2C13	. PIN . . . . .			01
26	MS24665-132	. COTTER PIN . . . . .			01
		—*—			
27	NAS561CF4-14	. PIN . . . . .			01
28	NAS43HT1-12	. SPACER . . . . .			01
29	NAS1149F0832P	. WASHER . . . . .			02
30	5111506-8	. CUP-SPRING . . . . .			01
31	5111527-1	. SPRING . . . . .			01
32	2617044-1	. GUIDE ASSY-LATCH PIN . . . . .			02
		ATTACHING PARTS			
33	AN525-416R10	. SCREW USED WITH 2617091-1 & -21 DOORS . . . . .	0001	0044	02
- 34	MS35206-280	. SCREW USED WITH 2617091-23 DOOR . . . . .	0045	& ON	02
			B0214	& ON	
35	2617045-1	. SHIM-LATCH PIN GUIDE .063 THICK . . . . .			AR
- 36	2617045-2	. SHIM-LATCH PIN GUIDE .040 THICK . . . . .			AR
- 37	2617045-3	. SHIM-LATCH PIN GUIDE .050 THICK . . . . .			AR
		—*—			
38		. BUSHING- LATCH PIN GUIDE REFER TO 52-10-02 FIGURE 01 . . . . .			RF

- ITEM NOT ILLUSTRATED

CESSNA®  
**MODEL 208**  
ILLUSTRATED PARTS CATALOG

A24827



**DETAIL A**

CARGO DOOR INSTALLATION - UPPER  
FIGURE 01 (SHEET 1)

0410T1005  
A26144005  
B26144005

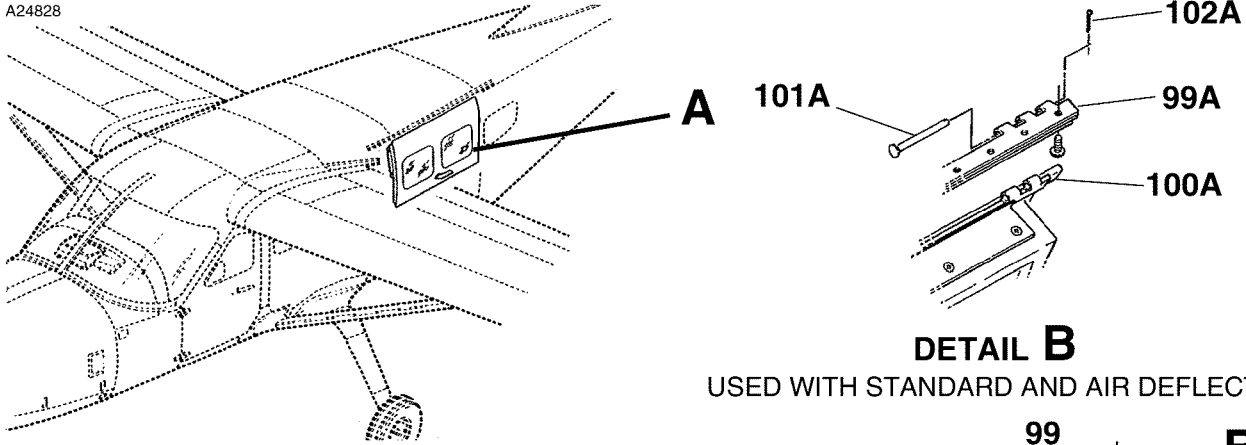
**CESSNA®**  
**MODEL 208**  
**ILLUSTRATED PARTS CATALOG**

FIG ITEM	PART NUMBER	NOMENCLATURE	UNITS PER ASSY		
			1	2	3
01		CARGO DOOR INSTALLATION - UPPER	0001	& ON	RF
-			B0214	& ON	
1	2115040-5	. GAS SPRING . . . . .	0001	0058	02
- 2	5211369-9	. DOOR EXTENDER ASSY-CARGO DOOR GAS SPRING FSO 2115040-206 . . . . .	0059	0541	NP
			B0001	B2381	
- 2A	5211369-13	. DOOR EXTENDER ASSY-CARGO DOOR GAS SPRING FSO 2115040-206 . . . . .			NP
- 2B	2115040-206	. DOOR EXTENDER ASSY-CARGO DOOR GAS SPRING SPARES . . . . .			02
- 2C	2611236-2	. DOOR EXTENDER ASSY-CARGO DOOR GAS SPRING FSO 2611236-3 . . . . .	0542	0583	NP
			B2382	B5279	
- 2D	2611236-3	. DOOR EXTENDER-CARGO DOOR GAS SPRING . . . . .	0584	& ON	02
			B5280	& ON	
3	A9008	. BALL STUD . . . . .	V55787		02
- 3A	102431	. BALL STUD ALT FOR A9008 . . . . .			02
- 4	657735	. SAFETY CLIP . . . . .	V55787		02
5	NAS1149F0563P	. WASHER . . . . .			02
6	MS35333-41	. LOCK WASHER . . . . .			02
7	S2467-1	. NUT . . . . .			02
- 8	2617057-1	. CARGO DOOR ASSY-UPPER FSO 2617057-61 . . . . .	0001	0006	NP
- 9	2617057-23	. CARGO DOOR ASSY-UPPER FSO 2617057-61 . . . . .	0007	0008	NP
- 10	2617057-29	. CARGO DOOR ASSY-UPPER FSO 2617057-61 . . . . .	0009	0044	NP
- 11	2617057-32	. CARGO DOOR ASSY-UPPER FSO 2617057-61 . . . . .	0045	0099	NP
- 12	2617057-34	. CARGO DOOR ASSY-UPPER FSO 2617057-61 . . . . .	0100	0196	NP
			B0214	B0227	
- 13	2617057-37	. CARGO DOOR ASSY-UPPER FSO 2617057-61 . . . . .	0197	0233	NP
			B0228	B0359	
- 14	2617057-41	. CARGO DOOR ASSY-UPPER FSO 2617057-61 . . . . .	0234	0292	NP
			B0360	B0706	
- 14A	2617057-47	. CARGO DOOR ASSY-UPPER FSO 2617057-61 . . . . .	0293	0366	NP
			B0707	B1016	
- 14B	2617057-52	. CARGO DOOR ASSY-UPPER FSO 2617057-61 . . . . .	0367	0384	NP
			B1017	B1102	
- 14C	2617057-57	. CARGO DOOR ASSY-UPPER FSO 2617057-61 . . . . .	0385	0569	NP
			B1103	B4999	
- 14D	2617057-58	. CARGO DOOR ASSY-UPPER FSO 2617057-61 . . . . .	B5000	B5203	NP
- 14E	2617057-61	. CARGO DOOR ASSY . . . . .	0570	& ON	01
			B5204	& ON	
- 15	2617057-33	. CARGO DOOR ASSY-UPPER USED WITH AIR DEFLECTOR FSO 2617057-61 . . . . .	0089	0099	NP
- 16	2617057-35	. CARGO DOOR ASSY-UPPER USED WITH AIR DEFLECTOR FSO 2617057-61 . . . . .	0100	0196	NP
			B0214	B0227	
- 17	2617057-38	. CARGO DOOR ASSY-UPPER USED WITH AIR DEFLECTOR FSO 2617057-61 . . . . .	0197	0233	NP
			B0228	B0359	
- 18	2617057-42	. CARGO DOOR ASSY-UPPER USED WITH AIR DEFLECTOR FSO 2617057-61 . . . . .	0234	0292	NP
			B0360	B0706	
- 18A	2617057-48	. CARGO DOOR ASSY-UPPER USED WITH AIR DEFLECTOR FSO 2617057-61 . . . . .	0293	0366	NP
			B0707	B1016	
- 18B	2617057-54	. CARGO DOOR ASSY-UPPER USED WITH AIR DEFLECTOR FSO 2617057-61 . . . . .	0367	0384	NP
			B1017	B1102	
- 18C	2617057-58	. CARGO DOOR ASSY-UPPER USED WITH AIR DEFLECTOR FSO 2617057-61 . . . . .	0385	& ON	NP
			B1103	& ON	
- 18D	2617057-61	. CARGO DOOR ASSY-UPPER USED WITH AIR DEFLECTOR . . . . .	0570	0664	01 R
			B5204	B5603	
- 18E	2617057-65	. CARGO DOOR ASSY-UPPER USED WITH AIR DEFLECTOR . . . . .	0665	& ON	01 R
			B5604	& ON	
		ATTACHING PARTS			
19	AN525-10R8	. SCREW-CARGO DOOR . . . . .			16
20	2611200-1	. SHIM - LH CARGO DOOR . . . . .			AR
21		. LATCH MECHANISM REFER TO 52-31-00 FIGURE 03 . . . . .			RF

- ITEM NOT ILLUSTRATED

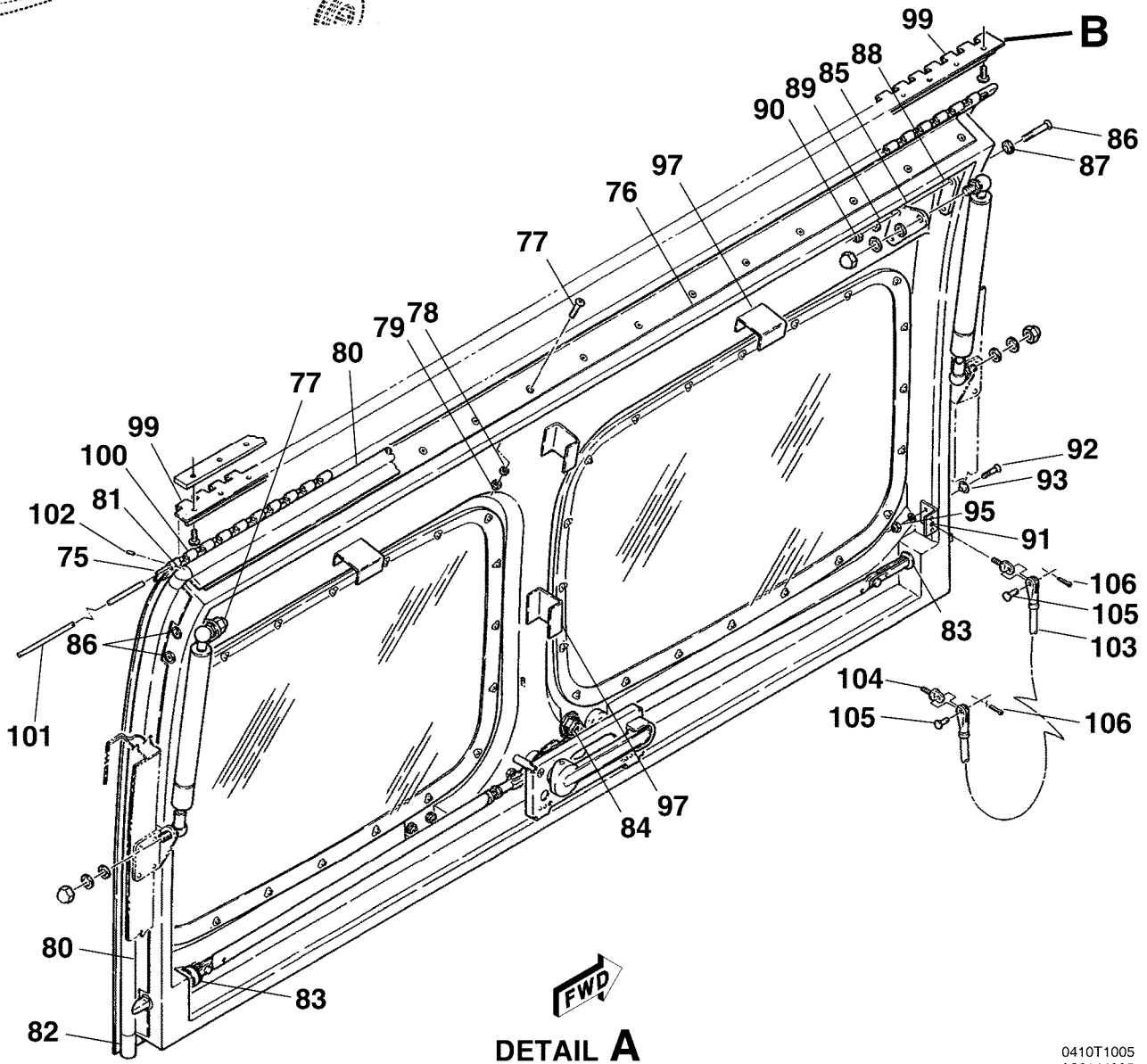
CESSNA®  
**MODEL 208**  
 ILLUSTRATED PARTS CATALOG

A24828



**DETAIL B**

USED WITH STANDARD AND AIR DEFLECTOR



**DETAIL A**

CARGO DOOR INSTALLATION - UPPER  
 FIGURE 01 (SHEET 2)

0410T1005  
 A26144005

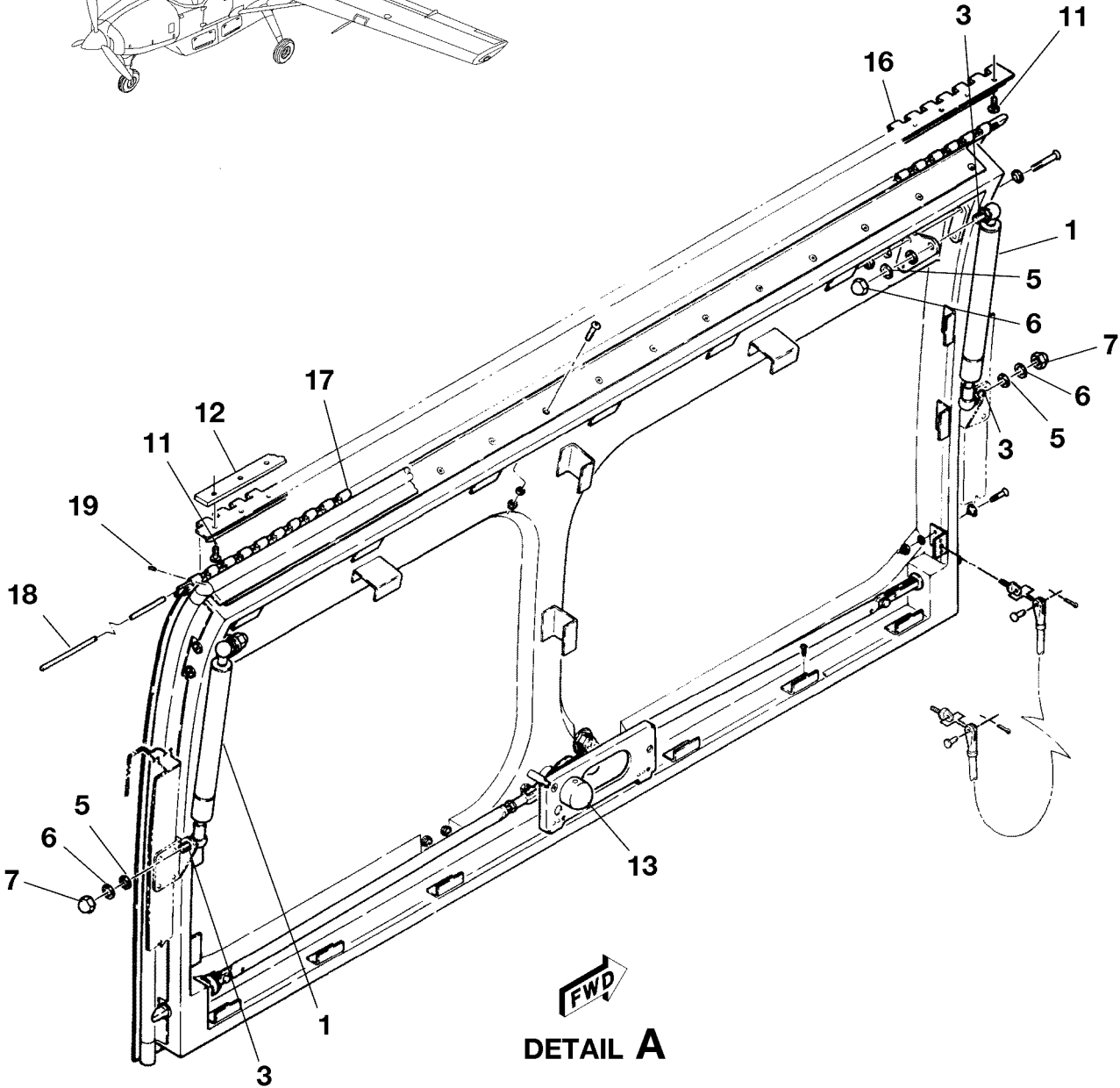
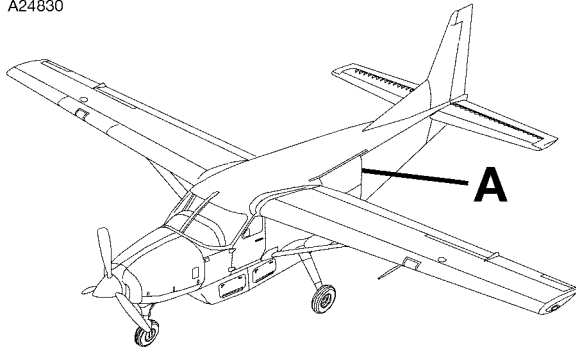
**CESSNA®**  
**MODEL 208**  
**ILLUSTRATED PARTS CATALOG**

FIG ITEM	PART NUMBER	NOMENCLATURE							UNITS PER ASSY	
		1	2	3	4	5	6	7		
01										
75	2617092-1	..	DRIP	RAIL	.....				01	
76	2617057-17	..	STIFFENER	.....					01	
			ATTACHING PARTS							
77	MS24694-S13	..	SCREW	.....					15	
78	AN970-3	..	WASHER	.....					15	
79	MS21044N08	..	NUT	.....					15	
			—*—							
80	S3973-1	..	SEAL-DOOR	LOWER	.....				AR	
- 80A	S2729-1	..	SEAL-DOOR	UPPER	.....				AR	
81	S2641-2	..	SEALING	CORNER-UPPER	.....				02	
- 81A	S4377-3	..	SEALING	CORNER-UPPER ALT FOR S2641-2	.....				02	
82	S2641-1	..	SEALING	CORNER-LOWER	.....				02	
- 82A	S4377-1	..	SEALING	CORNER-LOWER ALT FOR S2641-1	.....				02	
83	2617085-2	..	BUSHING-LATCH	PIN GUIDE	.....				02	
84	2617082-2	..	HOUSING-SAFETY	RELEASE	.....				01	
85	2617064-1	..	MOUNTING	PLATE-GAS SPRING CYLINDER	.....				02	
			ATTACHING PARTS							
86	MS24694-S62	..	SCREW	.....					02	
87	S1542-2	..	WASHER	.....					02	
88	2617099-1	..	SPACER	.....					01	
89	NAS1149F0332P	..	WASHER	.....					02	
90	MS21044N3	..	NUT	.....					02	
			—*—							
91	2615061-1	..	BRACKET	ASSY-DOOR PULL	.....				01	
			ATTACHING PARTS							
92	MS24694-S11	..	SCREW	.....					02	
93	S1542-1	..	WASHER	.....					02	
- 94	NAS1149F0363P	..	WASHER	.....					02	
95	MS21044N08	..	NUT	.....					02	
			—*—							
- 96	MS21047L3	..	NUTPLATE	.....					01	
97	2615068-1	..	SUPPORT-WINDOW	MOLDING	.....				04	
- 98	2617018-1	..	HINGE	ASSY-CARGO DOOR UPPER NOT USED WITH AIR DEFLECTOR	.....	0001	0384		NP	
				FSO 2617018-9	.....	B0214	B4999			
- 98A	2617018-9	..	HINGE	ASSY-CARGO DOOR UPPER USED WITH BOTH STANDARD AND	.....	0001	& ON		01	
				AIR DEFLECTOR REFER TO NOTE 1	.....	B0214	& ON			
99	2617018-2	..	HINGE	HALF ASSY	.....	0001	0384		NP	
					.....	B0214	B4999			
99A	2617018-8	..	HINGE	HALF ASSY	.....	0001	& ON		01	
					.....	B0214	& ON			
100	2617018-3	..	HINGE	HALF	.....	0001	0384		NP	
					.....	B0214	B4999			
100A	2617018-7	..	HINGE	HALF	.....	0001	& ON		01	
					.....	B0214	& ON			
101	MS20253P4-4946	..	HINGE	PIN	.....	0001	0384		NP	
					.....	B0214	B4999			
101A	MS20392-2C83	..	PIN	.....		0001	& ON		03	
					.....	B0214	& ON			
102	NAS561CF2-5	..	PIN	.....		0001	0384		NP	
					.....	B0214	B4999			
102A	MS24665-132	..	COTTER	PIN	.....	0001	& ON		03	
					.....	B0214	& ON			
103	S2814-1	..	CABLE	ASSY-DOOR PULL	.....				01	
			ATTACHING PARTS							
104	AN42B4A	..	EYE	BOLT	.....				02	
105	MS20392-2C13	..	PIN	.....					02	
106	MS24665-132	..	COTTER	PIN	.....				02	
			—*—							

NOTE 1—AIRPLANES -0001 & ON AND -B0001 & ON, AND AIRPLANES -0001 & ON AND -B0001 AND ON INCORPORATING CAB87-11 AND AK208-2B.

CESSNA®  
**MODEL 208**  
ILLUSTRATED PARTS CATALOG

A24830



2610T7007  
A26144007

CARGO DOOR INSTALLATION - UPPER NOT USED ON PASSENGER VERSION  
FIGURE 02 (SHEET 1)



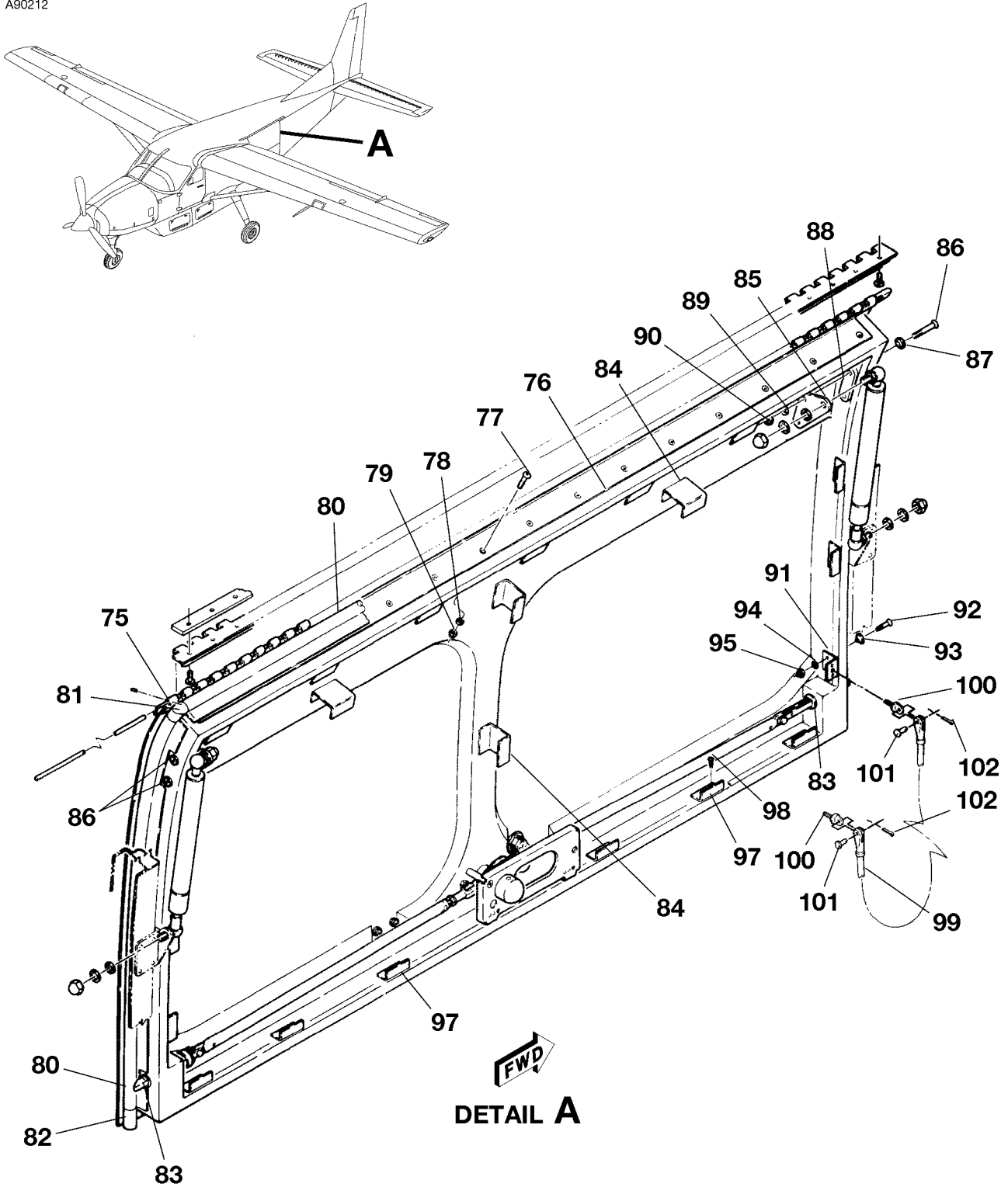
**CESSNA®**  
**MODEL 208**  
**ILLUSTRATED PARTS CATALOG**

FIG ITEM	PART NUMBER	NOMENCLATURE	UNITS PER ASSY		
			1	2	3
02		CARGO DOOR INSTALLATION - UPPER NOT USED ON PASSENGER VERSION	0208	0499	RF
-			B0001	& ON	
1	5211369-9	. DOOR EXTENDER ASSY-GAS SPRING . . . . .	0208	0499	02
			B0001	B2381	
- 2	5211369-13	. DOOR EXTENDER ASSY-GAS SPRING ALT FOR 5211369-9 . . . . .			02
- 2A	2611236-2	. DOOR EXTENDER ASSY-GAS SPRING FSO 2611236-3 . . . . .	B2382	B5279	NP
- 2A	2611236-3	. DOOR EXTENDER ASSY-GAS SPRING SPARES . . . . .	B2382	B5279	02
- 2C	2611236-4	. DOOR EXTENDER ASSY-GAS SPRING . . . . .	B5280	& ON	02
		ATTACHING PARTS			
3	A9008	. BALL STUD . . . . .	V55787		02
- 3A	102431	. BALL STUD ALT FOR A9008 . . . . .			02
- 4	657735	. SAFETY CLIP . . . . .	V55787		02
5	NAS1149F0563P	. WASHER . . . . .			02
6	MS35333-41	. WASHER . . . . .			02
7	S2467-2	. NUT . . . . .			02
		—*—			
- 8	2617057-36	. CARGO DOOR ASSY-UPPER FSO 2617057-62 . . . . .	B0001	B0227	NP
- 9	2617057-39	. CARGO DOOR ASSY-UPPER FSO 2617057-62 . . . . .	0208	0233	NP
			B0228	B0359	
- 10	2617057-43	. CARGO DOOR ASSY-UPPER FSO 2617057-62 . . . . .	0234	0292	NP
			B0360	B0706	
- 10A	2617057-49	. CARGO DOOR ASSY-UPPER FSO 2617057-62 . . . . .	0293	0366	NP
			B0707	B1016	
- 10B	2617057-55	. CARGO DOOR ASSY-UPPER FSO 2617057-62 . . . . .	0367	0384	NP
			B1017	B1102	
- 10C	2617057-59	. CARGO DOOR ASSY-UPPER FSO 2617057-62 . . . . .	0385	0499	NP
			B1103	B4999	
- 10D	2617057-60	. CARGO DOOR ASSY-UPPER FSO 2617057-62 . . . . .	B5000	B5203	NP
- 10E	2617057-62	. CARGO DOOR ASSY-UPPER . . . . .	B5204	B5603	01 R
- 10F	2617057-66	. CARGO DOOR ASSY-UPPER . . . . .	B5604	& ON	01 R
		ATTACHING PARTS			
11	AN525-10R8	. SCREW . . . . .			16
12	2611200-1	. SHIM - LH CARGO DOOR . . . . .			AR
		—*—			
13		. . . LATCH MECHANISM REFER TO 52-31-00 FIGURE 03 . . . . .			RF
- 14		. . . DELETED-NOT USED . . . . .			
- 15	2617018-1	. . . HINGE ASSY-CARGO DOOR UPPER FSO 2617018-9 . . . . .	0208	0499	NP
			B0001	B4999	
- 15A	2617018-9	. . . HINGE ASSY-CARGO DOOR UPPER REFER TO NOTE 1 . . . . .	B5000	& ON	01
16	2617018-2	. . . HINGE HALF ASSY . . . . .	0208	0499	NP
			B0001	B4999	
- 16A	2617018-8	. . . HINGE HALF ASSY . . . . .	B5000	& ON	01
17	2617018-3	. . . HINGE HALF . . . . .	0208	0499	NP
			B0001	B4999	
- 17A	2617018-7	. . . HINGE HALF . . . . .	B5000	& ON	01
18	MS20253P4-4946	. . . HINGE PIN . . . . .	0208	0499	NP
			B0001	B4999	
- 18A	MS20392-2-2C83	. . . PIN . . . . .	B5000	& ON	03
19	NAS561CF2-5	. . . PIN . . . . .	0208	0499	NP
			B0001	B4999	
- 19A	MS24665-132	. . . COTTER PIN . . . . .	B5000	& ON	03
- 20	4962	. . . RUBBER TAPE BETWEEN HINGE AND DOOR . . . . .	V26066		AR

NOTE 1—AIRPLANES -0001 AND ON AND -B0001 AND ON, AND AIRPLANES -0001 AND ON AND -B0001 AND ON INCORPORATING CAB87-11 AND AK208-2B.

CESSNA®  
MODEL 208  
ILLUSTRATED PARTS CATALOG

A90212



CARGO DOOR INSTALLATION - UPPER NOT USED ON PASSENGER VERSION  
FIGURE 02 (SHEET 2)

2610T7007  
A26144007

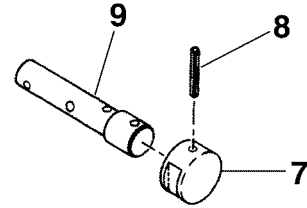
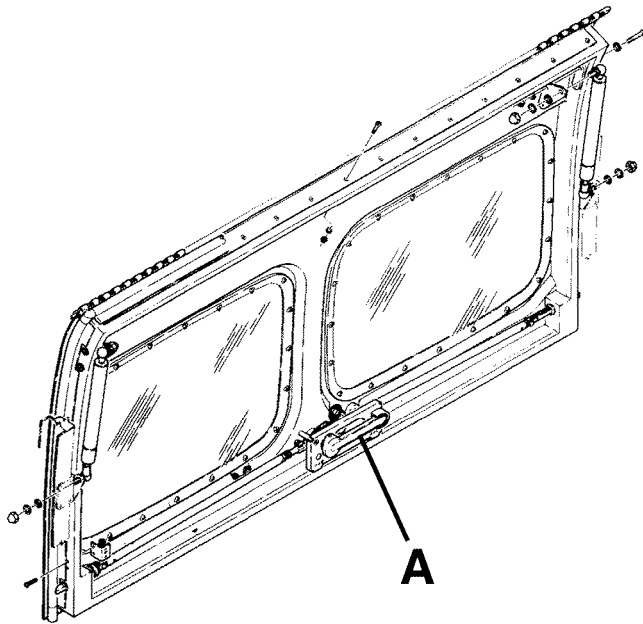
**CESSNA®**  
**MODEL 208**  
**ILLUSTRATED PARTS CATALOG**

FIG ITEM	PART NUMBER	NOMENCLATURE							UNITS PER ASSY
		1	2	3	4	5	6	7	
02									
75	2617092-1	. . .	DRIP RAIL	. . . . .					01
76	2617057-17	. . .	STIFFENER	. . . . .					01
			ATTACHING PARTS						
77	MS24694-S13	. . .	SCREW	. . . . .					15
78	NAS1149FN816P	. . .	WASHER	. . . . .					15
79	MS21044N08	. . .	NUT	. . . . .					15
			—*—						
80	S2729-1	. . .	SEAL-DOOR-UPPER	. . . . .					AR
- 80A	S3973-1	. . .	SEAL-DOOR-LOWER	. . . . .					02
81	S2641-2	. . .	SEALING CORNER UPPER FSO S4377-2	. . . . .		0001	& ON		NP
						B0001	B5025		
- 81A	S4377-3	. . .	SEALING CORNER UPPER ALT FOR S2641-2	. . . . .		B5026	& ON		02
82	S2641-1	. . .	SEALING CORNER LOWER FSO S4377-1	. . . . .		0001	& ON		NP
						B0001	B5025		
- 82A	S4377-1	. . .	SEALING CORNER LOWER ALT FOR S2641-1	. . . . .		B5026	& ON		02
83	2617085-2	. . .	BUSHING-LATCH PIN GUIDE	. . . . .					02
84	2615068-1	. . .	SUPPORT-WINDOW MOULDING	. . . . .					04
85	2617064-1	. . .	MOUNTING PLATE-GAS SPRING CYLINDER	. . . . .					02
			ATTACHING PARTS						
86	MS24694-S62	. . .	SCREW	. . . . .					02
87	S1542-2	. . .	WASHER	. . . . .					02
88	2617099-1	. . .	SPACER	. . . . .					01
89	NAS1149F0332P	. . .	WASHER	. . . . .					02
90	MS21044N3	. . .	NUT	. . . . .					02
			—*—						
91	2615061-1	. . .	BRACKET ASSY-DOOR PULL	. . . . .					01
			ATTACHING PARTS						
92	MS24694-S11	. . .	SCREW	. . . . .					02
93	S1542-1	. . .	WASHER	. . . . .					02
94	NAS1149F0363P	. . .	WASHER	. . . . .					02
95	MS21044N08	. . .	NUT	. . . . .					02
			—*—						
- 96	MS21047L3	. . .	NUTPLATE	. . . . .					01
97	2615043-1	. . .	CLIP-UPHOLSTERY	. . . . .					18
			ATTACHING PARTS						
98	S1021A4-8	. . .	SCREW	. . . . .					02
			—*—						
99	S2814-1	. . .	CABLE ASSY-DOOR PULL	. . . . .					01
			ATTACHING PARTS						
100	AN42B4A	. . .	EYE BOLT	. . . . .					02
101	MS20392-2C13	. . .	PIN	. . . . .					02
102	MS24665-132	. . .	COTTER PIN	. . . . .					02
			—*—						

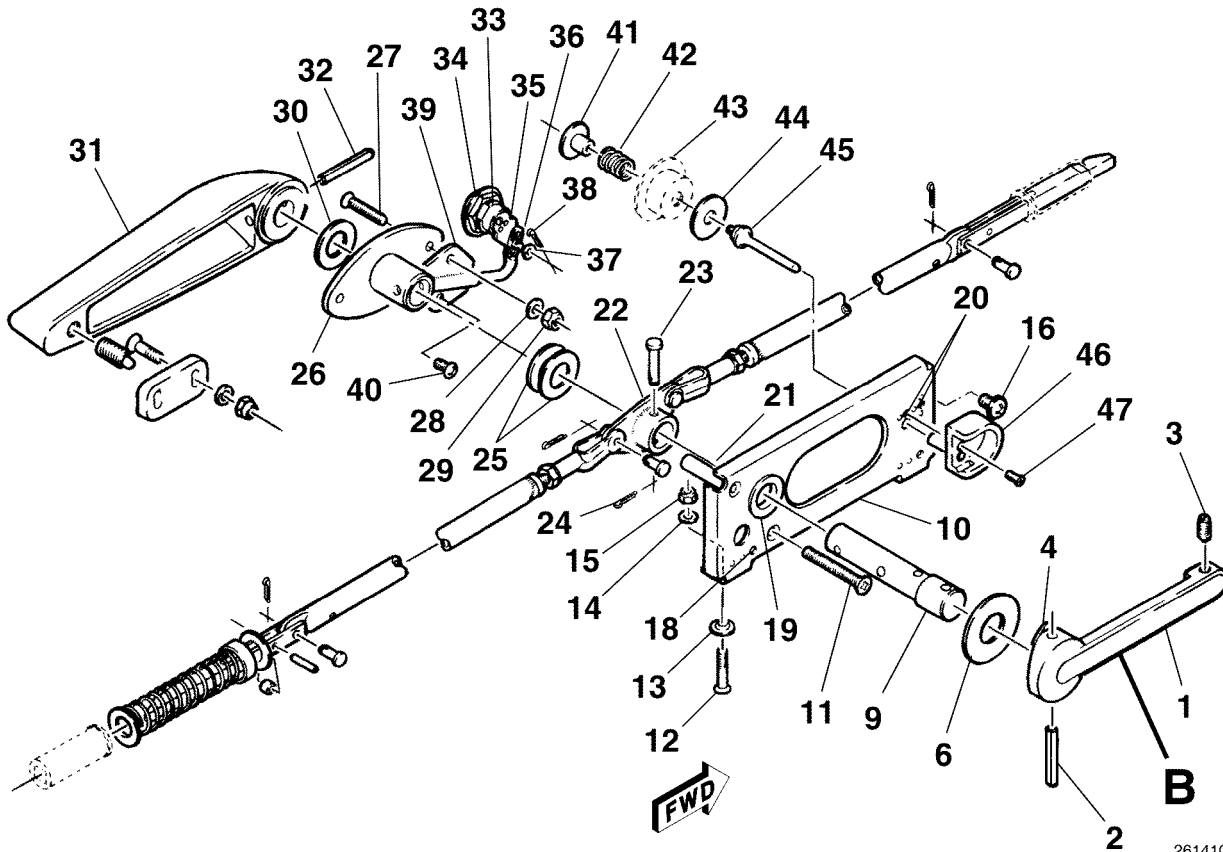
- ITEM NOT ILLUSTRATED

CESSNA®  
**MODEL 208**  
 ILLUSTRATED PARTS CATALOG

A24831



**DETAIL B**



**DETAIL A**

LATCH MECHANISM - UPPER CARGO DOOR  
 FIGURE 03 (SHEET 1)

26141056  
 A26142022  
 B26141057

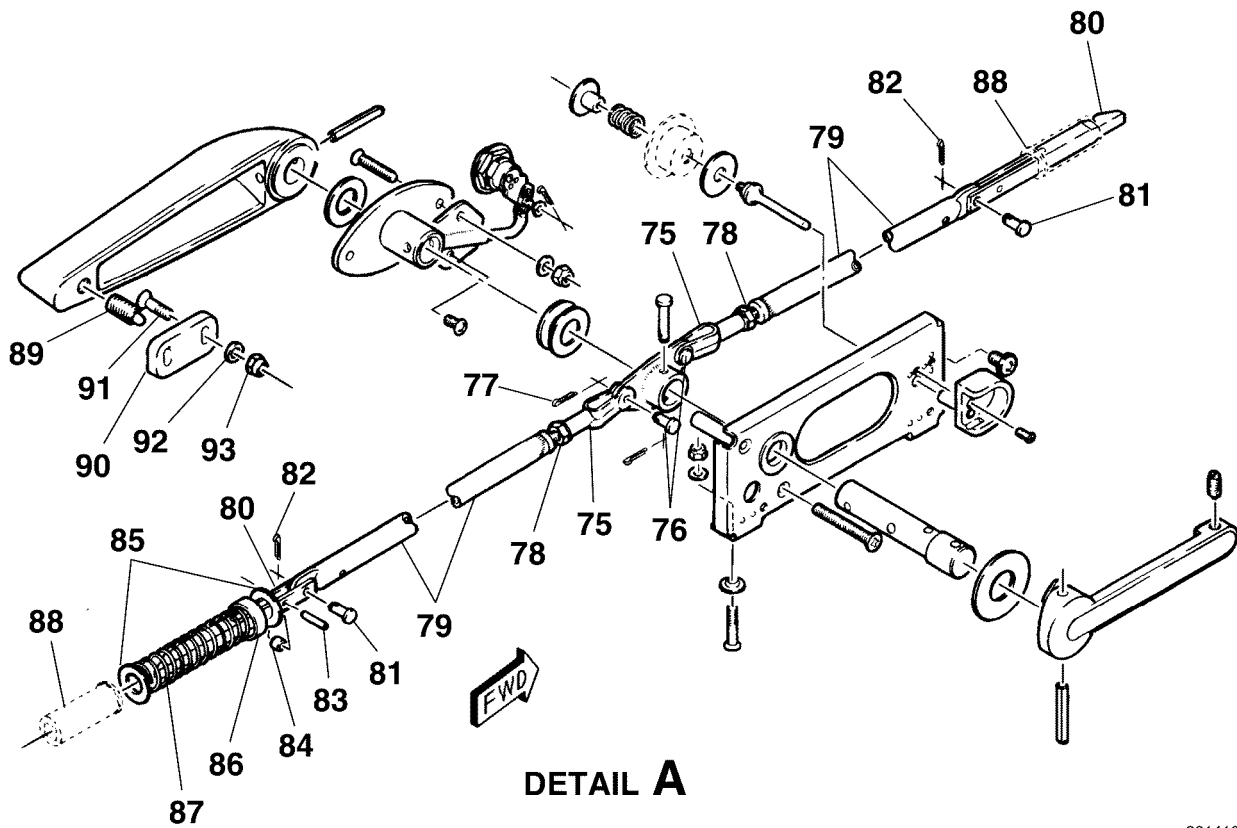
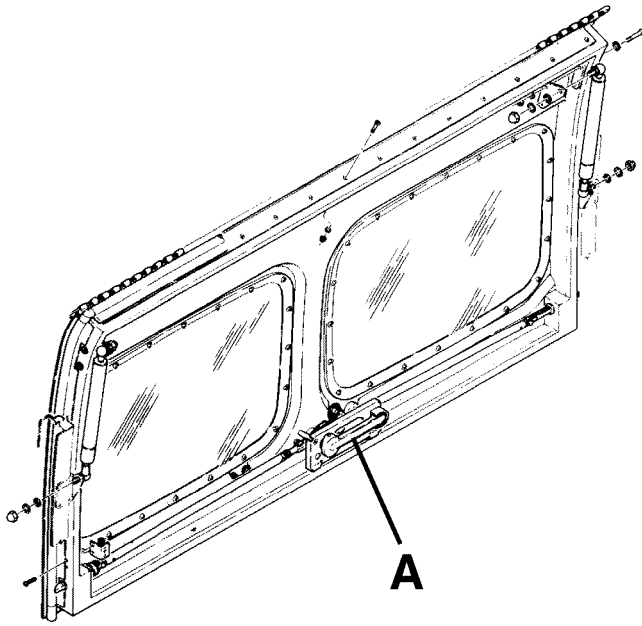
**CESSNA®**  
**MODEL 208**  
**ILLUSTRATED PARTS CATALOG**

FIG ITEM	PART NUMBER	NOMENCLATURE	UNITS PER ASSY		
			1	2	3
03		LATCH MECHANISM - UPPER CARGO DOOR			RF
- 1	5319026-1	. HANDLE ASSY-CARGO DOOR INOARD	0001	& ON	01
2	NAS561P6-24	. PIN HANDLE ASSY ATTACH	0001	& ON	01
- 2A	MS16562-52	. PIN ALT FOR NAS561P6-24 HANDLE ASSY ATTACH			01
3	CL43SPS1	. SPRING PLUNGER	V99862	0001	& ON 01
4	5111520-3	. SPRING	0001	& ON	01
- 5	MS24693-S4	. SCREW SPRING ATTACH	0001	& ON	02
6	5111374-1	. ESCUTCHEON PLATE	0001	& ON	01
7	2617100-2	. BOSS-CARGO DOOR SPINDLE	B0001	& ON	01
8	NAS561P6-20	. PIN BOSS ATTACH	B0001	& ON	01
- 8A	MS16562-51	. PIN ALT FOR NAS561P6-20 BOSS ATTACH			01
9	2617083-1	. SPINDLE-DOOR HANDLE			01
10	2617041-1	. SUPPORT ASSY-LH CARGO DOOR HANDLE FSO 2617041-9	0001	0292	NP
			B0001	B0706	
- 10A	2617041-9	. SUPPORT ASSY-LH CARGO DOOR HANDLE	0293	& ON	01
			B0707	& ON	
11	AN505-10R30	. SCREW SUPPORT ASSY ATTACH			02
- 11A	MS35206-277	. SCREW SUPPORT ASSY ATTACH	B2263	B2263	02
12	MS24694-S13	. SCREW SUPPORT ASSY ATTACH			02
13	S1542-1	. WASHER SUPPORT ASSY ATTACH			02
14	NAS1149FN816P	. WASHER SUPPORT ASSY ATTACH			02
15	MS21044N08	. NUT SUPPORT ASSY ATTACH			02
16	AN525-416R6	. SCREW SUPPORT ASSY ATTACH	0001	0044	01
- 17	MS35206-277	. SCREW USED WITH 2617057-36 DOOR ASSY SUPPORT ASSY ATTACH	0045	& ON	01
			B0001	& ON	
18	MS21051L08	. NUTPLATE			02
19	S1004-48A	. BEARING			01
20	MS21069L04	. NUTPLATE			02
21	2617107-1	. COLLAR-BELLCRANK STOP			01
22	2617046-1	. BELLCRANK ASSY-UPPER CARGO DOOR			01
23	MS20392-2C29	. PIN BELLCRANK ASSY ATTACH			01
24	MS24665-132	. COTTER PIN BELLCRANK ASSY ATTACH			01
25	NAS1149F1032P	. WASHER			02
26	2617036-1	. ESCUTCHEON-OUTSIDE DOOR HANDLE FSO 2617036-5	0001	& ON	NP R
			B0001	B5203	
- 26A	2617036-5	. ESCUTCHEON-OUTSIDE DOOR HANDLE	B5204	& ON	01 R
27	MS24693-S277	. SCREW ESCUTCHEON ATTACH			02
28	NAS1149F0332P	. WASHER ESCUTCHEON ATTACH			02
29	MS21044N3	. NUT ESCUTCHEON ATTACH			02
30	S1438-24	. WASHER-NYLON			01
31	2617094-6	. HANDLE-CARGO DOOR OUTBOARD FSO 2617094-8	0001	& ON	01 R
			B0001	B5203	
- 31A	2617094-8	. HANDLE-CARGO DOOR OUTBOARD	B5204	& ON	01 R
32	NAS561P6-24	. PIN HANDLE ATTACH			01
- 32A	MS16562-52	. PIN ALT FOR NAS561P6-24 HANDLE ATTACH			01
33	C253001-0102	. LOCK ASSY-CARGO DOOR REFER TO NOTE 1	0001	0384	01
			B0214	B1102	
- 33A	ASCV208B-3D	. LOCK SET-CARGO DOOR	V1DWF8	0385	& ON 01
			B1103	& ON	
34	S1450-19A18-040	. WASHER	0001	0384	01
			B0214	B1102	
35	0717024-16	. CAM ASSY-DOOR LOCK	0001	0384	01
			B0214	B1102	
36	2617032-3	. PIN			01
37	NAS1149FN832P	. WASHER PIN ATTACH			01
38	MS24665-132	. COTTER PIN PIN ATTACH			01
39	2617033-1	. GUIDE ASSY-DOOR LOCK PIN			01
40	MS35206-261	. SCREW			01
41	5711675-4	. BUTTON			01
42	5711675-2	. SPRING			01
43		. HOUSING-SAFETY RELEASE REFER TO 52-31-01 FIGURE 01			RF
44	5711675-3	. WASHER			01
45	2617082-1	. PIN-SAFETY RELEASE			01
46	2617081-1	. LOCK PLATE ASSY			01
47	MS24693-S4	. SCREW			02

NOTE 1—WHEN ORDERING THIS PART PROVIDE LOCK NUMBER OR ORDER C253001-0106 LOCK KIT CONSISTING OF 3 KEYED-ALIKE LOCKS AND 6 KEYS OR C253001-0105 CONSISTING OF 2 KEYED-ALIKE AND 4 KEYS

CESSNA®  
**MODEL 208**  
ILLUSTRATED PARTS CATALOG

A24832



LATCH MECHANISM - UPPER CARGO DOOR  
FIGURE 03 (SHEET 2)

26141056  
A26142022

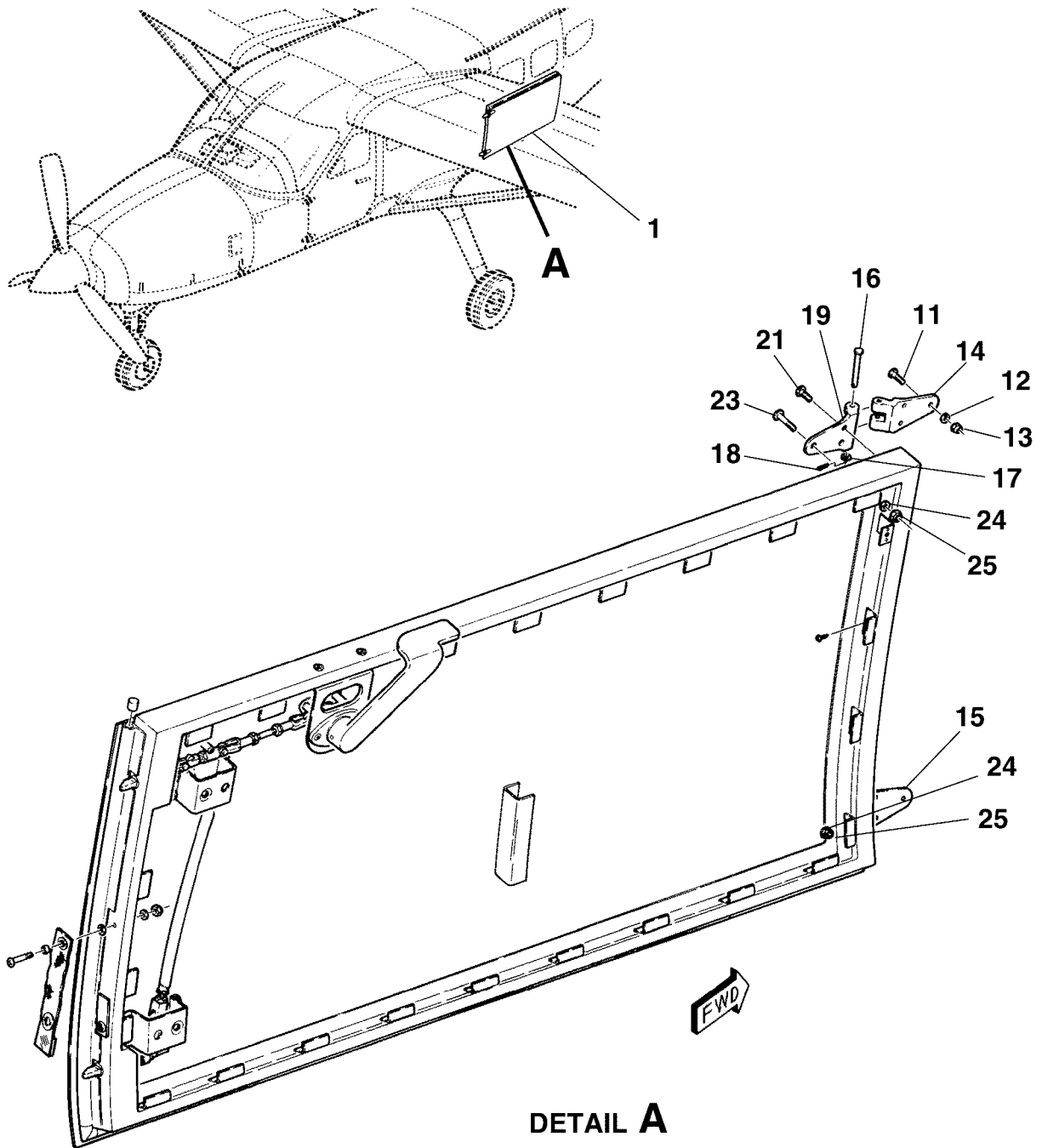
CESSNA®  
**MODEL 208**  
 ILLUSTRATED PARTS CATALOG

FIG ITEM	PART NUMBER	NOMENCLATURE							UNITS PER ASSY
		1	2	3	4	5	6	7	
03									
75	MS27975-4	.	CLEVIS	.	.	.	.	.	02
		.	ATTACHING PARTS	.	.	.	.	.	
76	MS20392-2C11	.	PIN	.	.	.	.	.	01
77	MS24665-132	.	PIN-COTTER	.	.	.	.	.	01
		—*							
78	AN316-4R	.	NUT	.	.	.	.	.	02
79	2617042-1	.	TUBE ASSY-DOOR	.	.	.	.	.	02
80	2617043-1	.	LATCH PIN-DOOR	.	.	.	.	.	02
		.	ATTACHING PARTS	.	.	.	.	.	
81	MS20392-2C13	.	PIN	.	.	.	.	.	01
82	MS24665-132	.	COTTER PIN	.	.	.	.	.	01
		—*							
83	NAS561CF4-14	.	ROLL PIN	.	.	.	.	.	01
84	NAS43HT1-12	.	SPACER	.	.	.	.	.	01
85	NAS1149F0832P	.	WASHER	.	.	.	.	.	02
86	5111506-8	.	CUP	.	.	.	.	.	01
87	5111527-1	.	SPRING	.	.	.	.	.	01
88		.	BUSHING-REFER TO 52-31-00 FIGURE 01	.	.	.	.	.	RF
89	K5SN	.	PLUNGER	.	.	.	.	V01599	01
90	2617102-1	.	CATCH PLATE	.	.	.	.	.	01
		.	ATTACHING PARTS	.	.	.	.	.	
91	AN509-10R18	.	SCREW EQU FOR MS24694-S60	.	.	.	.	.	02 R
- 91A	MS24694-S60	.	SCREW	.	.	.	.	.	02 R
92	NAS1149F0332P	.	WASHER	.	.	.	.	.	02
93	MS21044N3	.	NUT	.	.	.	.	.	02
		—*							

- ITEM NOT ILLUSTRATED

CESSNA®  
**MODEL 208**  
ILLUSTRATED PARTS CATALOG

A24834



CARGO DOOR INSTALLATION - LOWER  
FIGURE 01 (SHEET 1)

26141050  
A26142033



**CESSNA®**  
**MODEL 208**  
**ILLUSTRATED PARTS CATALOG**

FIG ITEM	PART NUMBER	NOMENCLATURE	UNITS PER ASSY		
			1	2	3
01		CARGO DOOR INSTALLATION - LOWER			RF
- 1	2617058-1	. CARGO DOOR ASSY-LOWER FSO 2617058-50	0001	0006	NP
- 2	2617058-23	. CARGO DOOR ASSY-LOWER FSO 2617058-50	0007	0008	NP
- 3	2617058-29	. CARGO DOOR ASSY-LOWER FSO 2617058-50	0009	0044	NP
- 4	2617058-31	. CARGO DOOR ASSY-LOWER FSO 2617058-50	0045	0122	NP
- 5	2617058-33	. CARGO DOOR ASSY-LOWER FSO 2617058-50	0123	0131	NP
- 6	2617058-40	. CARGO DOOR ASSY-LOWER FSO 2617058-50	0132	0160	NP
- 7	2617058-44	. CARGO DOOR ASSY-LOWER FSO 2617058-50	0161	0246	NP
			B0001	B0499	
- 7A	2617058-46	. CARGO DOOR ASSY-LOWER FSO 2617058-50	0247	0366	NP
			B0500	B1016	
- 7B	2617058-48	. CARGO DOOR ASSY-LOWER FSO 2617058-50	0367	0395	NP
			B1017	B5203	
- 7C	2617058-50	. CARGO DOOR ASSY	B5204	B5603	01 R
- 7D	2617058-52	. CARGO DOOR ASSY	B5604	& ON	01 R
- 8	2617058-39	. CARGO DOOR ASSY-LOWER FSO 2617058-47	0112	0131	NP
			B0001	B0054	
- 9	2617058-41	. CARGO DOOR ASSY-LOWER FSO 2617058-47	0132	0160	NP
			B0055	B0201	
- 10	2617058-45	. CARGO DOOR ASSY-LOWER 208B AND 208 WITH CARGO TIE DOWN FSO 2617058-47	0161	0246	NP
			B0202	B0499	
- 10A	2617058-47	. CARGO DOOR ASSY-LOWER 208B AND 208 WITH CARGO TIE DOWN	0247	0366	01
			B0500	B1016	
- 10B	2617058-49	. CARGO DOOR ASSY-LOWER 208B AND 208 WITH CARGO TIE DOWN	0367	0569	01
			B1017	B5203	
- 10C	2617058-51	. CARGO DOOR ASSY	0570	0664	01 R
			B5204	B5603	
- 10D	2617058-53	. CARGO DOOR ASSY	0665	& ON	01 R
			B5604	& ON	
		ATTACHING PARTS			
11	AN525-10R11	. SCREW			06
12	NAS1149F0363P	. WASHER			06
13	MS21044N3	. NUT			06
		—*—			
14	2617015-4	. HINGE-DOOR UPR FWD FSO 2617015-20	0001	0246	NP
			B0001	B0499	
- 14A	2617015-20	. HINGE-DOOR UPR FWD	0247	& ON	01
			B0500	& ON	
15	2617015-2	. HINGE-DOOR LWR FWD FSO 2617015-18	0001	0246	NP
			B0001	B0499	
- 15A	2617015-18	. HINGE-DOOR LWR FWD	0247	& ON	01
			B0500	& ON	
16	MS20392-2C65	. PIN REFER TO NOTE 2	0001	0246	02
			B0001	B0499	
- 16A	MS20392-3C65	. PIN REFER TO NOTE 3	0247	& ON	02
			B0500	& ON	
17	NAS1149F0332P	. WASHER REFER TO NOTE 2			02
- 17A	NAS1149F0432P	. WASHER REFER TO NOTE 3			02
18	MS24665-132	. COTTER PIN			02
19	2617015-15	. HINGE-DOOR UPR AFT FSO 2617015-23	0001	0246	NP
			B0001	B0499	
- 19A	2617015-23	. HINGE-DOOR UPR AFT	0247	& ON	01
			B0500	& ON	
- 20	2617015-13	. HINGE-DOOR LWR AFT FSO 2617015-21	0001	0246	NP
			B0001	B0499	
- 20A	2617015-21	. HINGE-DOOR LWR AFT	0247	& ON	01
			B0500	& ON	
		ATTACHING PARTS			
21	NAS222-10	. SCREW	0001	0044	02
- 22	MS35206-280	. SCREW	0045	& ON	02
			B0001	& ON	
23	NAS222-19	. SCREW			01
24	NAS1149F0432P	. WASHER			01
25	MS21044N4	. NUT			01
		—*—			

NOTE 1—AIRPLANES NOT INCORPORATING SK208-29

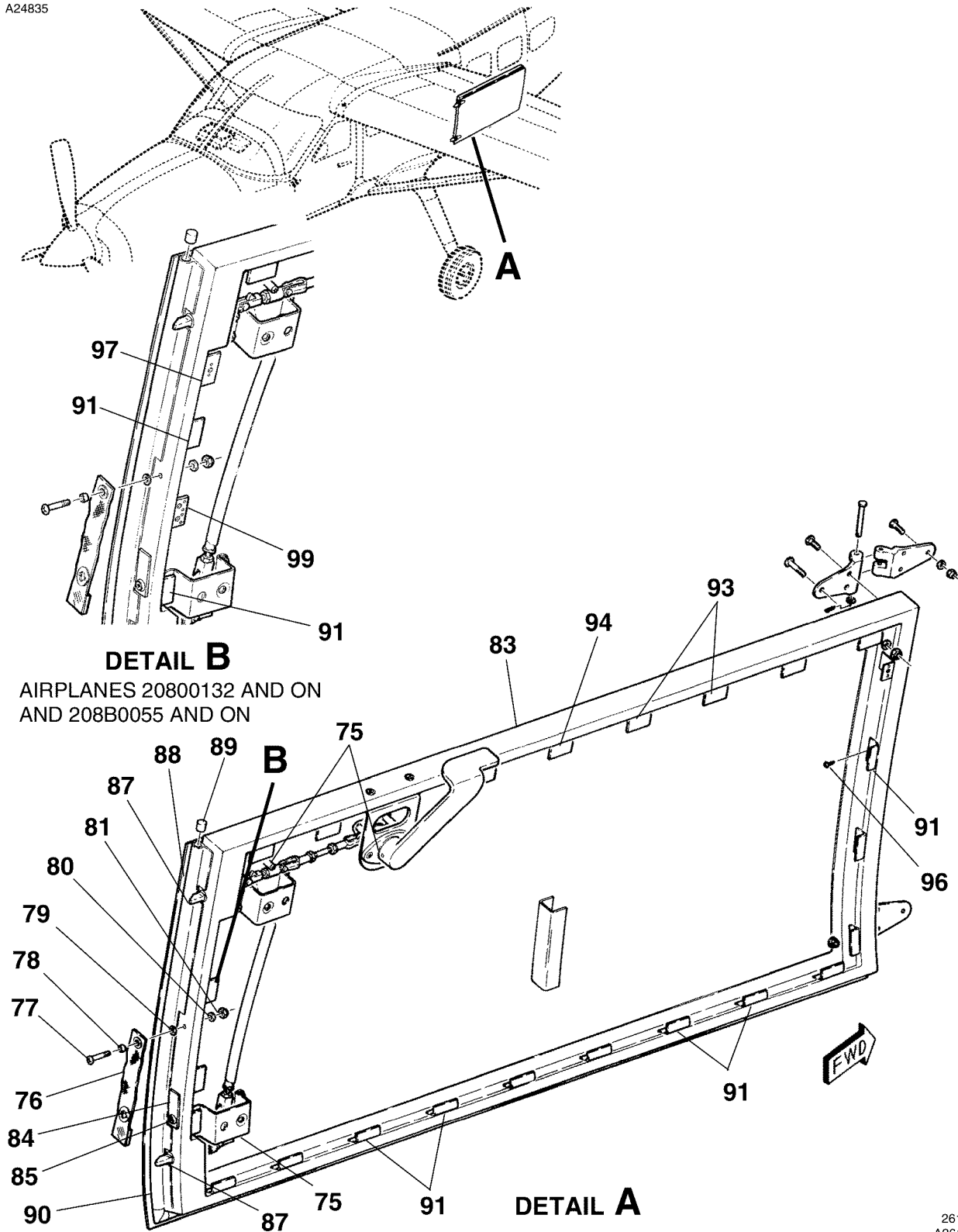
NOTE 2—AIRPLANES NOT INCORPORATING CSB96-2

NOTE 3—AIRPLANES INCORPORATING CAB96-2

- ITEM NOT ILLUSTRATED

CESSNA®  
**MODEL 208**  
 ILLUSTRATED PARTS CATALOG

A24835



**DETAIL B**

AIRPLANES 20800132 AND ON  
 AND 208B0055 AND ON

**DETAIL A**

CARGO DOOR INSTALLATION - LOWER  
 FIGURE 01 (SHEET 2)

26141050  
 A26142033  
 B26144004

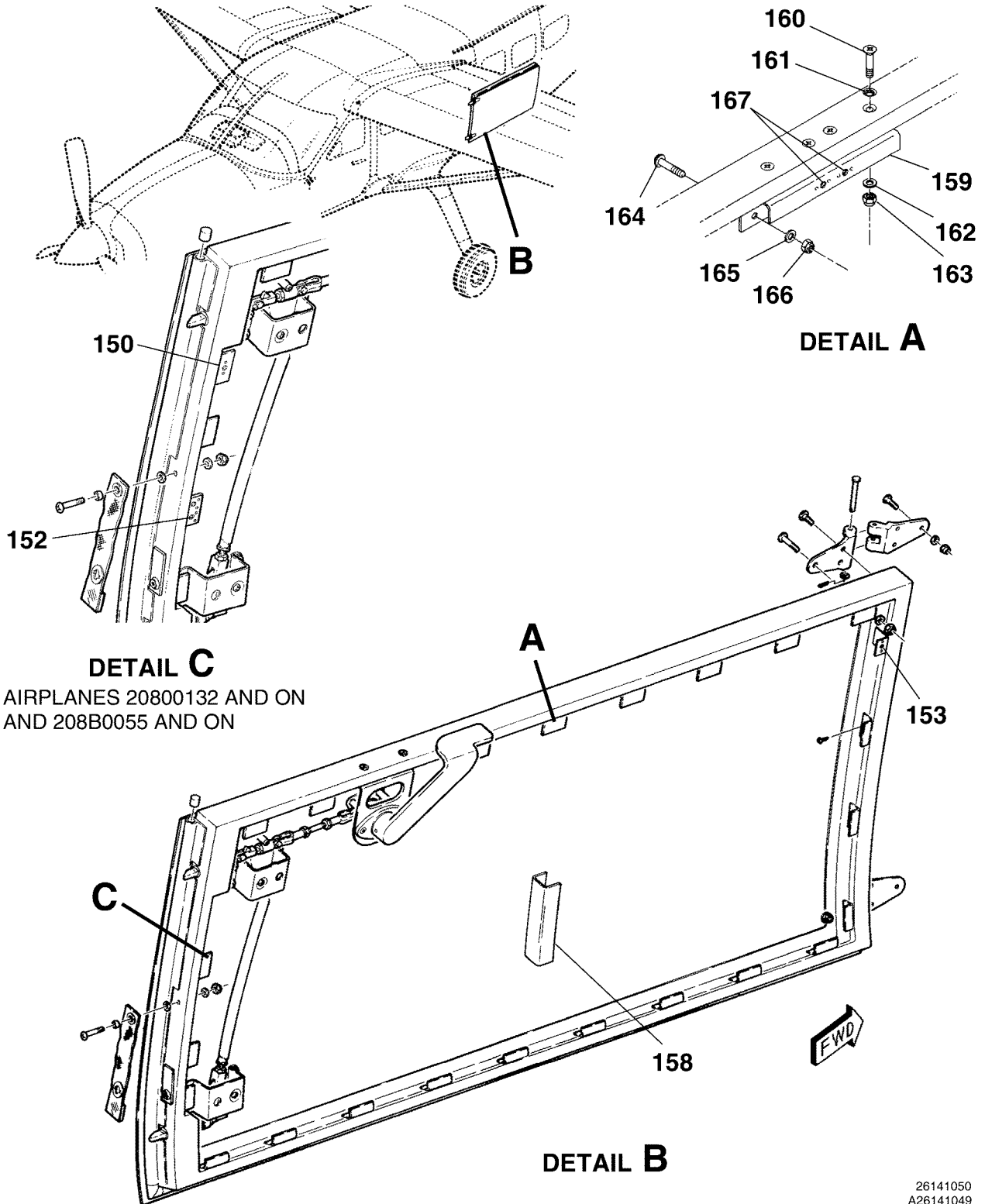
**CESSNA®**  
**MODEL 208**  
**ILLUSTRATED PARTS CATALOG**

FIG ITEM	PART NUMBER	NOMENCLATURE	UNITS PER ASSY		
			1	2	3
01					
75		.. LATCH MECHANISM REFER TO 52-31-01 FIGURE 02 .....			RF
76	2617088-1	.. STRAP ASSY-DOOR STOP REFER TO NOTE 1 .....	0001	0131	01
		ATTACHING PARTS	B0001	B0054	
77	AN525-10R20	.. SCREW .....	0001	0131	01
78	NAS43DD3-9FC	.. SPACER .....	B0001	B0054	
		.. SPACER ALT FOR NAS43DD3-9FC .....	0001	0131	01
- 78A	NAS43DD3-9N	.. SPACER ALT FOR NAS43DD3-9FC .....	B0001	B0054	
79	NAS1149F0363P	.. WASHER .....	0001	0131	01
80	NAS1149F0332P	.. WASHER .....	B0001	B0054	
81	MS21044N3	.. NUT .....	0001	0131	01
		---*	B0001	B0054	
- 82	F990030	.. FABRIC FASTENER-LOOP BKI FSO F990324 .....	0001	0131	NP
		.. FABRIC FASTENER-LOOP BKI .....	B0001	B0054	
- 82A	F990324	.. FABRIC FASTENER-LOOP BKI .....	0001	0131	AR
		.. DELETED -NOT USED .....	B0001	B0054	
83		.. DELETED -NOT USED .....			RF
84	F990014	.. FABRIC FASTENER-HOOK 2.00 IN LG .....	0001	0131	01
		ATTACHING PARTS	B0001	B0054	
85	S1022A8-12B	.. SCREW .....	0001	0131	01
		.. WASHER .....	B0001	B0054	
- 86	S1067B1	.. WASHER .....	0001	0131	01
		---*	B0001	B0054	
87	2617085-2	.. BUSHING-LATCH PIN GUIDE .....			02
88	S3973-1	.. SEAL DOOR .....			AR
89	S2641-3	.. SEALING PLUG-EQU FOR S4377-2 .....			02
90	S2641-2	.. SEALING CORNER-EQU FOR S4377-3 .....			02
91	2615043-1	.. CLIP-UPHOLSTERY REFER TO NOTE 1 .....	0001	0131	15
		.. CLIP-UPHOLSTERY REFER TO NOTE 2 .....	B0001	B0054	
- 92	2615043-1	.. CLIP-UPHOLSTERY REFER TO NOTE 2 .....	0132	& ON	14
		.. CLIP-UPHOLSTERY .....	B0055	& ON	
93	2615043-2	.. CLIP-UPHOLSTERY .....			07
94	2615043-2	.. CLIP-UPHOLSTERY NOT USED WITH PASSENGER VERSION .....	B0001	& ON	01
- 95	2615043-3	.. CLIP-UPHOLSTERY USED WITH 208B PASSENGER VERSION .....	0124	& ON	01
		.. CLIP-UPHOLSTERY USED WITH 208B PASSENGER VERSION .....	B0214	& ON	
		ATTACHING PARTS			
96	S1021A4-8	.. SCREW .....			02
		---*			
97	2615043-4	.. CLIP ASSY-UPPER REFER TO NOTE 3 .....	0001	0131	01
		.. CLIP ASSY-UPPER .....	B0001	B0054	
- 98	2615043-8	.. CLIP ASSY-UPPER .....	0174	& ON	01
		.. CLIP ASSY-LOWER REFER TO NOTE 2 .....	B0244	& ON	
99	2615043-5	.. CLIP ASSY-LOWER REFER TO NOTE 2 .....	0132	& ON	01
		.. CLIP ASSY-LOWER REFER TO NOTE 2 .....	B0055	& ON	
		ATTACHING PARTS			
- 100	AN525-832R14	.. SCREW REFER TO NOTE 2 .....	0132	& ON	02
		.. WASHER REFER TO NOTE 2 .....	B0055	& ON	
- 101	NAS1149FN816P	.. WASHER REFER TO NOTE 2 .....	0132	& ON	02
		.. NUT REFER TO NOTE 2 .....	B0055	& ON	
- 102	MS21044N08	.. NUT REFER TO NOTE 2 .....	0132	& ON	02
		.. NUT REFER TO NOTE 2 .....	B0055	& ON	
		---*			

- ITEM NOT ILLUSTRATED

CESSNA®  
**MODEL 208**  
 ILLUSTRATED PARTS CATALOG

A24836



**DETAIL C**  
 AIRPLANES 20800132 AND ON  
 AND 208B0055 AND ON

CARGO DOOR INSTALLATION - LOWER  
 FIGURE 01 (SHEET 3)

26141050  
 A26141049  
 B26142033  
 C26144004

CESSNA®  
**MODEL 208**  
 ILLUSTRATED PARTS CATALOG

FIG ITEM	PART NUMBER	1 2 3 4 5 6 7	NOMENCLATURE	UNITS PER ASSY		
01						
150	MS21047L08	. . .	NUTPLATE-UPPER CLIP REFER TO NOTE 3 . . . . .	0001	0173	01 R
- 151	MS21073L08	. . .	NUTPLATE-UPPER CLIP . . . . .	B0055	B0203	
				0174	& ON	01
				B0204	& ON	
152	MS21073L08	. . .	NUTPLATE-LOWER CLIP REFER TO NOTE 2 . . . . .	0132	& ON	02
				B0055	& ON	
153	2615061-1	. . .	BRACKET ASSY-DOOR PULL . . . . .			01
			ATTACHING PARTS			
- 154	MS24694-S19	. . .	SCREW . . . . .			02
- 155	MS21044N08	. . .	NUT . . . . .			02
- 156	S1542-1	. . .	WASHER . . . . .			02
			—*—			
- 157	MS21047L3	. . .	NUTPLATE . . . . .			01
158	2615088-1	. . .	CLIP-UPHOLSTERY . . . . .			01
159	2601247-61	. . .	SUPPORT ASSY-ANCHOR PLATE NOT USED WITH PASSENGER VERSION . . . . .	B0001	& ON	01
			ATTACHING PARTS			
160	MS24694-S17	. . .	SCREW . . . . .	B0001	& ON	04
161	S1542-1	. . .	WASHER-DIMPLED . . . . .	B0001	& ON	04
162	NAS1149FN816P	. . .	WASHER . . . . .	B0001	& ON	04
163	MS21044N08	. . .	NUT . . . . .	B0001	& ON	04
164	AN525-10R16	. . .	SCREW . . . . .	B0001	& ON	08
165	NAS1149F0332P	. . .	WASHER . . . . .	B0001	& ON	08
166	MS21044N3	. . .	NUT . . . . .	B0001	& ON	08
			—*—			
167	MS21069L3K	. . .	NUTPLATE . . . . .	B0001	& ON	02

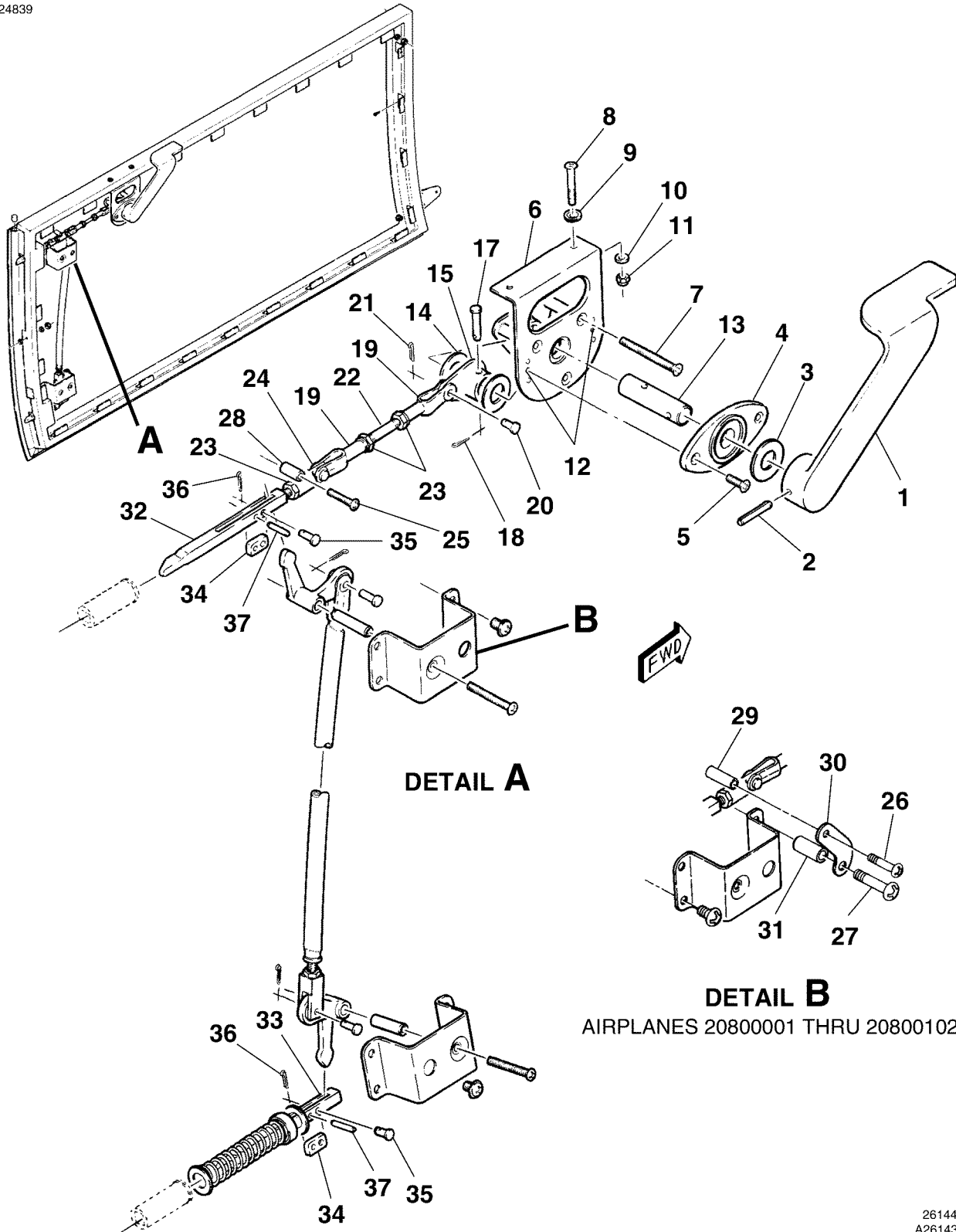
NOTE 1—AIRPLANES NOT INCORPORATING SK208-29

NOTE 2—AIRPLANES -0132 AND ON AND -B0055 AND ON, AND -0001 THRU -0131 AND -B0001 THRU -B0054 INCORPORATING SK208-29.

NOTE 3—AIRPLANES INCORPORATING SK208-29

CESSNA®  
**MODEL 208**  
 ILLUSTRATED PARTS CATALOG

A24839



**DETAIL B**  
 AIRPLANES 20800001 THRU 20800102

LATCH MECHANISM - LOWER CARGO DOOR  
 FIGURE 02 (SHEET 1)

26144004  
 A26143015  
 B26143015

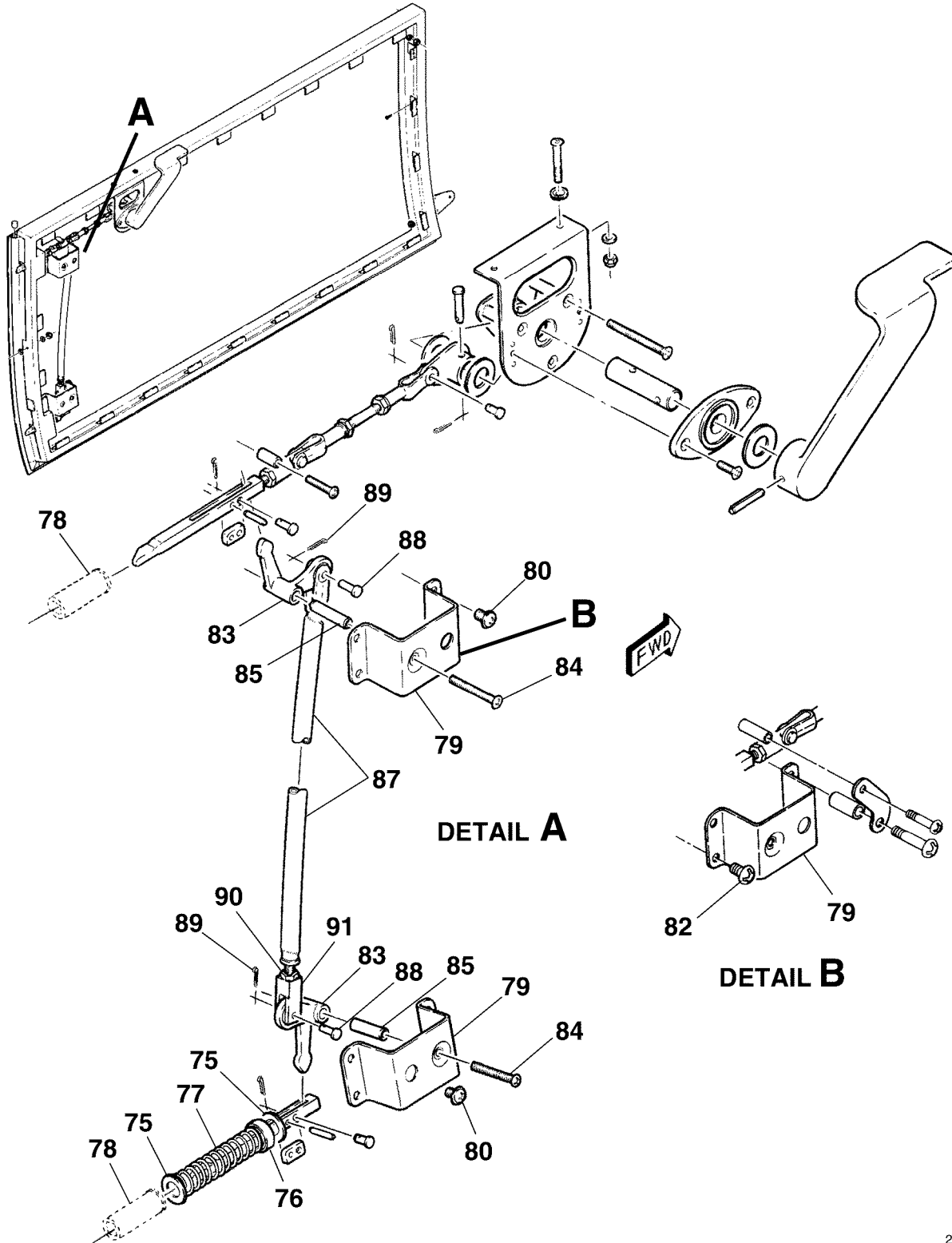
**CESSNA®**  
**MODEL 208**  
**ILLUSTRATED PARTS CATALOG**

FIG ITEM	PART NUMBER	NOMENCLATURE	UNITS	
			PER	ASSY
02				
-		LATCH MECHANISM - LOWER CARGO DOOR		RF
1	2617077-1	. DOOR HANDLE ASSY-LOWER CARGO DOOR . . . . .	0001 0569	01 R
- 1A	2617077-7	. DOOR HANDLE ASSY-LOWER CARGO DOOR . . . . .	B0001 B5203 0570 & ON B5204 & ON	01 R
		ATTACHING PARTS		
2	NAS561P6-24	. PIN . . . . .		01
		—*—		
3	S1438-24	. WASHER-NYLON . . . . .		01
4	2617036-2	. ESCUTCHEON-DOOR HANDLE FSO 2617036-7 . . . . .	0001 0570	NP R
- 4A	2617036-7	. ESCUTCHEON-DOOR HANDLE . . . . .	B0001 B5203 0570 & ON B5204 & ON	01 R
		ATTACHING PARTS		
5	MS24693-S273	. SCREW . . . . .		02
		—*—		
6	2617048-1	. MOUNT ASSY-CARGO DOOR HANDLE . . . . .		01
		ATTACHING PARTS		
7	AN505-10R30	. SCREW . . . . .		02
8	MS24694-S19	. SCREW . . . . .		02
9	S1542-1	. WASHER . . . . .		02
10	NAS1149FN816P	. WASHER . . . . .		02
11	MS21044N08	. NUT . . . . .		02
		—*—		
12	MS21059L3	. NUTPLATE . . . . .		02
13	2617049-1	. SPINDLE-DOOR HANDLE . . . . .		01
14	NAS1149F1032P	. WASHER . . . . .		04
15	2617050-1	. BELLCRANK ASSY FSO 2617050-6 . . . . .	0001 0160	NP
- 16	2617050-6	. BELLCRANK ASSY . . . . .	B0001 B0201 0161 & ON B0202 & ON	01
		ATTACHING PARTS		
17	MS20392-2C29	. PIN . . . . .		01
18	MS24665-132	. COTTER PIN . . . . .		01
		—*—		
19	MS27975-4	. CLEVIS . . . . .		02
		ATTACHING PARTS		
20	MS20392-2C11	. PIN . . . . .		01
21	MS24665-132	. COTTER PIN . . . . .		01
		—*—		
22	NAS354-4-275	. ROD . . . . .		01
23	AN316-4R	. NUT-CHECK . . . . .		03
24	2617051-1	. LINK-PUSH ROD . . . . .		01
25	MS35206-267	. SCREW . . . . .	0001 0102	01
26	MS35206-339	. SCREW . . . . .	0103 & ON	01
			B0001 & ON	
27	MS35206-345	. SCREW . . . . .	0103 & ON	01
			B0001 & ON	
28	NAS43HT3-40	. SPACER . . . . .	0001 0102	01
29	NAS43HT3-64	. SPACER . . . . .	0103 & ON	01
			B0001 & ON	
30	2617004-1	. STRAP . . . . .	0103 & ON	01
			B0001 & ON	
31	NAS43HT3-62	. SPACER . . . . .	0103 & ON	01
			B0001 & ON	
32	2617053-1	. LATCH PIN ASSY-UPR-CARGO DOOR . . . . .		01
33	2617053-2	. LATCH PIN ASSY-LWR-CARGO DOOR . . . . .		01
34	2617052-1	. SPACER- LATCH PIN . . . . .		01
		ATTACHING PARTS		
35	MS20392-2C13	. PIN . . . . .		01
36	MS24665-132	. COTTER PIN . . . . .		01
37	NAS561CF4-14	. PIN . . . . .		01
		—*—		

- ITEM NOT ILLUSTRATED

CESSNA®  
**MODEL 208**  
 ILLUSTRATED PARTS CATALOG

A24841



LATCH MECHANISM - LOWER CARGO DOOR  
 FIGURE 02 (SHEET 2)

26144004  
 A26143015  
 B26143015



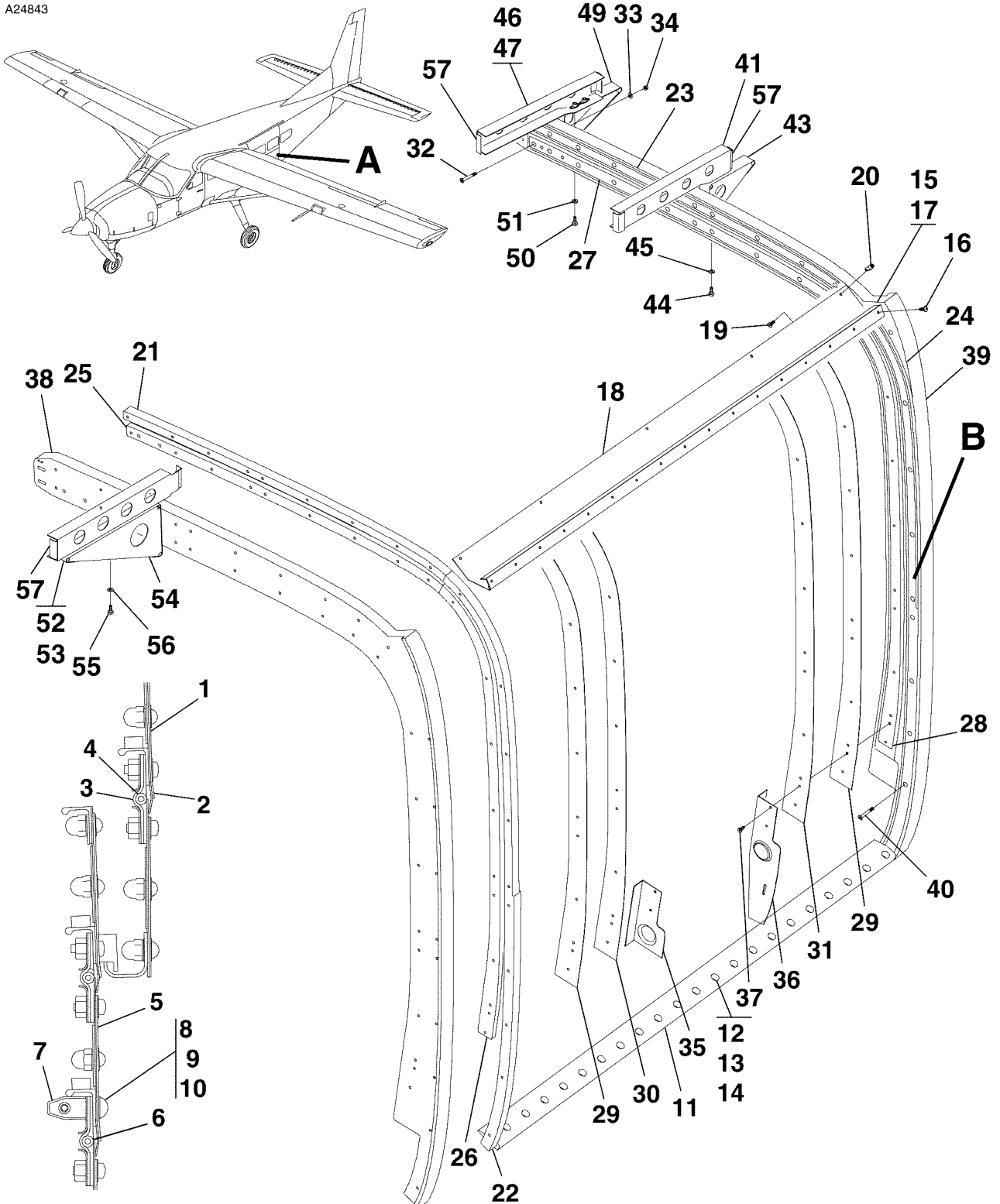
CESSNA®  
**MODEL 208**  
 ILLUSTRATED PARTS CATALOG

FIG ITEM	PART NUMBER	NOMENCLATURE	UNITS PER ASSY		
			1	2	3
02					
75	NAS1149F0832P	. WASHER . . . . .			02
76	5111506-8	. CUP-SPRING . . . . .			01
77	5111527-1	. SPRING . . . . .			01
78		. BUSHING-LATCH PIN GUIDE REFER TO 52-31-01 FIGURE 01 . . . . .			RF
79	2617055-1	. SUPPORT-BELLCRANK . . . . . ATTACHING PARTS			02
80	AN525-416R6	. SCREW USED WITH 2617058-1,-23, AND -29 DOOR . . . . .	0001	0044	04
- 81	MS35206-277	. SCREW USED WITH 2617058-31 DOOR . . . . .	0045	0102	04
82	MS35206-277	. SCREW . . . . . —*—	0045	0102	03
83	2617054-1	. BELLCRANK ASSY-LWR CARGO DOOR . . . . . ATTACHING PARTS			02
84	MS35206-270	. SCREW . . . . .			01
85	NAS76A3-109	. BUSHING . . . . . —*—			01
- 86	S1866-3	. BEARING . . . . .			01
87	2617056-1	. TUBE ASSY-LWR CARGO DOOR . . . . . ATTACHING PARTS			01
88	MS20392-2C17	. PIN . . . . .			02
89	MS24665-132	. PIN-COTTER . . . . .			02
90	AN316-4R	. NUT- CHECK . . . . .			01
91	2117123-1	. CLEVIS . . . . . —*—			01

- ITEM NOT ILLUSTRATED

CESSNA®  
**MODEL 208**  
 ILLUSTRATED PARTS CATALOG

A24843



**DETAIL B**

**DETAIL A**

DOOR INSTALLATION - INFLIGHT MOVEABLE  
 FIGURE 01 (SHEET 1)

2610T7002  
 A2611T1028  
 B2611T1029

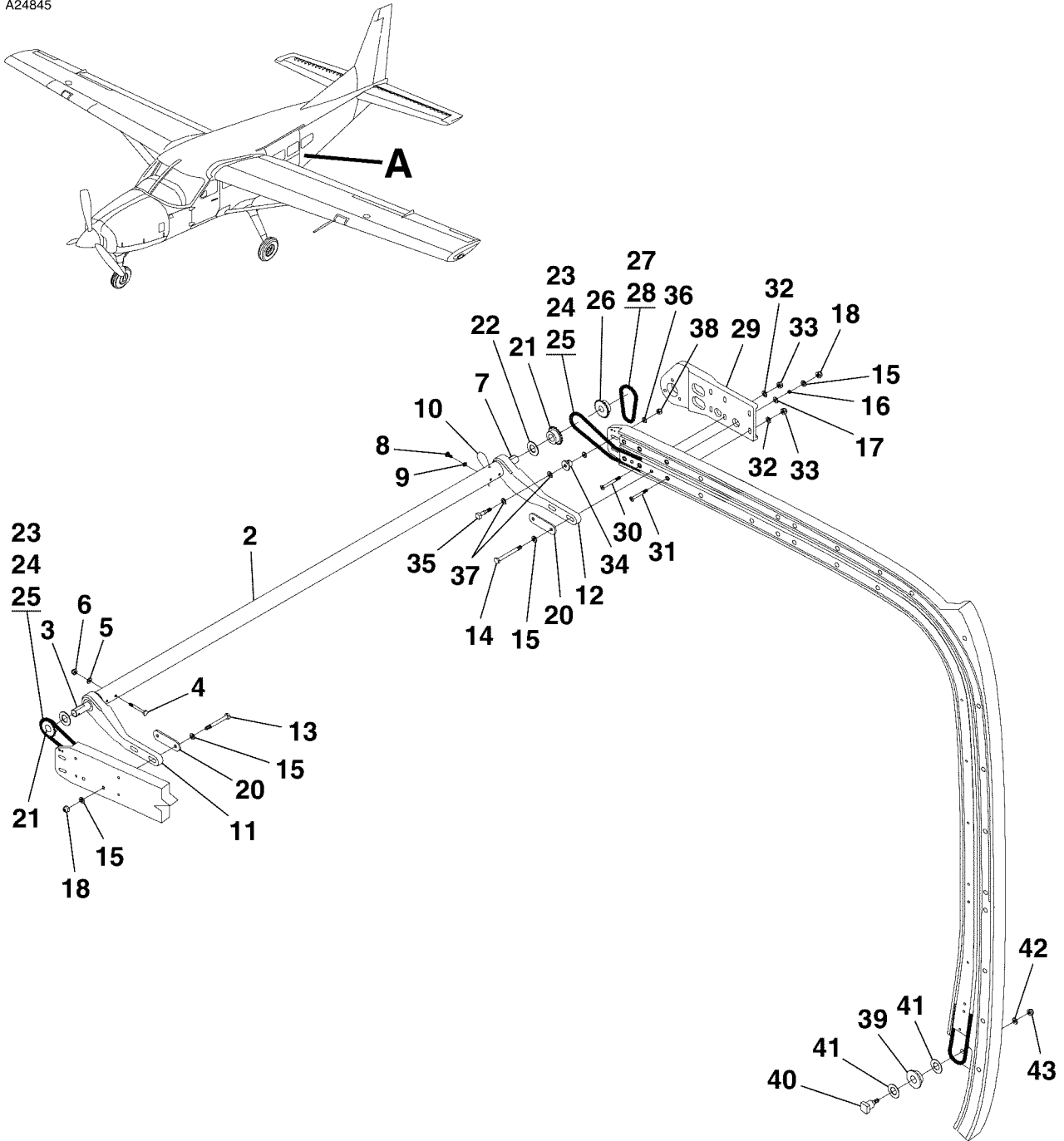
**CESSNA®**  
**MODEL 208**  
**ILLUSTRATED PARTS CATALOG**

FIG ITEM	PART NUMBER	1 2 3 4 5 6 7	NOMENCLATURE	UNITS PER ASSY
01			DOOR INSTALLATION - INFLIGHT MOVEABLE	RF
-				
1	2617109-60		. DOOR ASSY UPPER . . . . .	01
2	2617109-55		. HINGE PIN . . . . .	10
3	2617109-68		. SEAL BKI . . . . .	AR
4	2617109-67		. RETAINER-SEAL . . . . .	02
5	2617109-57		. DOOR ASSY-LOWER . . . . .	01
6	2617109-55		. HINGE PIN . . . . .	10
7	2617115-2		. CONNECTOR ASSY . . . . .	02
			ATTACHING PARTS	
8	AN509-8R10		. SCREW . . . . .	02
- 8A	MS24694-S7		. SCREW ALT FOR AN509-8R10 . . . . .	02
9	NAS1149F0332P		. WASHER . . . . .	02
10	S1914-5		. NUT . . . . .	02
			—*—	
11	2611063-4		. TREAD ASSY . . . . .	01
			ATTACHING PARTS	
12	AN3-6A		. BOLT . . . . .	10
13	NAS1149F0332P		. WASHER . . . . .	10
14	NAS1329A3K130		. NUT . . . . .	02
			—*—	
15	2617111-1		. REINFORCEMENT ASSY . . . . .	01
			ATTACHING PARTS	
16	AN525-10R8		. SCREW . . . . .	14
			—*—	
17	MS21047L08		. NUTPLATE . . . . .	17
18	2617111-4		. CLOSURE . . . . .	01
			ATTACHING PARTS	
19	AN525-832R7		. SCREW . . . . .	05
20	MS21047L08		. NUTPLATE . . . . .	02
			—*—	
21	2611204-10		. DOOR GUIDE-UPPER FORWARD . . . . .	01
22	2611204-6		. DOOR GUIDE-LOWER FORWARD . . . . .	01
23	2611204-9		. DOOR GUIDE-UPPER AFT . . . . .	01
24	2611204-5		. DOOR GUIDE-LOWER AFT . . . . .	01
25	2611204-12		. CHAIN GUIDE-UPPER FORWARD . . . . .	01
26	2611204-8		. CHAIN GUIDE-LOWER FORWARD . . . . .	01
27	2611204-11		. CHAIN GUIDE-UPPER AFT . . . . .	01
28	2611204-7		. CHAIN GUIDE-LOWER AFT . . . . .	01
29	2617115-6		. CHAIN RETAINER-FORWARD AND AFT . . . . .	02
30	2617115-8		. CHAIN GUARD-FORWARD TRACK . . . . .	01
31	2617115-7		. CHAIN GUARD-AFT TRACK . . . . .	01
			ATTACHING PARTS	
32	MS24694-S65		. SCREW . . . . .	72
33	NAS1149F0332P		. WASHER . . . . .	72
34	MS21044N3		. NUT . . . . .	72
			—*—	
35	2617114-2		. COVER - FWD CHAIN TRACK . . . . .	01
36	2617114-1		. COVER - AFT CHAIN TRACK . . . . .	01
			ATTACHING PARTS	
37	MS24694-S49		. SCREW ALT FOR AN509-10-7 . . . . .	04 R
			—*—	
38	2611204-4		. TRACK-FWD . . . . .	01
39	2611204-13		. TRACK-AFT . . . . .	01
40	MS24694-S65		. SCREW . . . . .	AR
41	2611203-16		. SUPPORT ASSY-LH . . . . .	01
- 42	MS21047L3		. NUTPLATE . . . . .	01
43	2611203-13		. SUPPORT-CONTACTOR . . . . .	01
44	AN3-4A		. BOLT . . . . .	02
45	NAS1149F0363P		. WASHER . . . . .	02
46	MS21047L3		. NUTPLATE . . . . .	04
47	2611203-1		. SUPPORT ASSY-RH . . . . .	01
- 48	MS21047L3		. NUTPLATE . . . . .	02
49	2611203-14		. SUPPORT . . . . .	01
50	AN3-4A		. BOLT . . . . .	02
51	NAS1149F0363P		. WASHER . . . . .	02
52	2611203-15		. SUPPORT ASSY . . . . .	01
53	MS21047L3		. NUTPLATE . . . . .	02
54	2611203-17		. SUPPORT . . . . .	01
			ATTACHING PARTS	
55	AN3-4A		. BOLT . . . . .	02
56	NAS1149F0363P		. WASHER . . . . .	02
			—*—	
57	2611203-6		. CLIP . . . . .	06

- ITEM NOT ILLUSTRATED

CESSNA®  
**MODEL 208**  
ILLUSTRATED PARTS CATALOG

A24845



**DETAIL A**

DOOR INFLIGHT MOVEABLE OPERATING MECHANISM  
FIGURE 02 (SHEET 1)

2610T7002  
A2611T1030

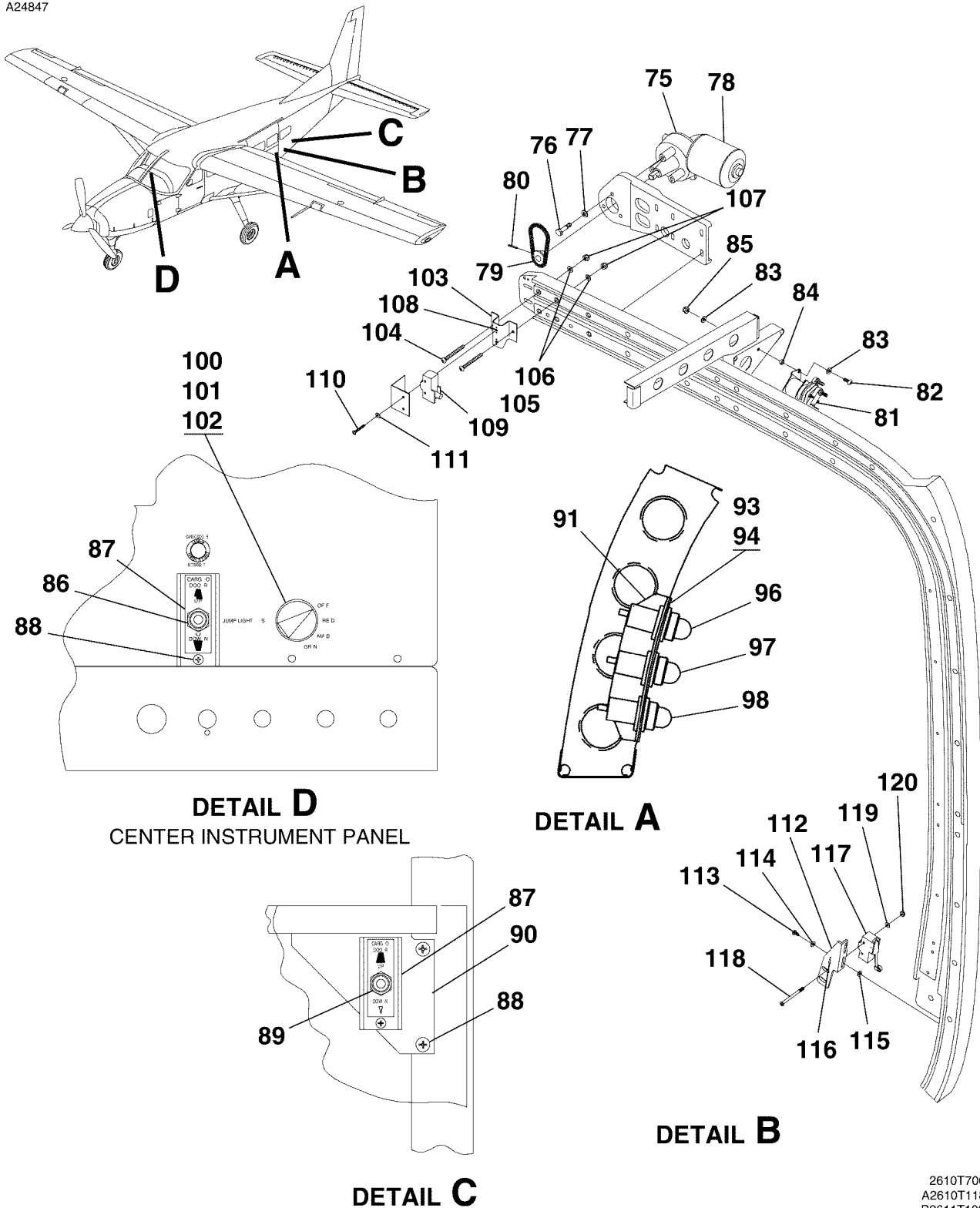
CESSNA®  
**MODEL 208**  
 ILLUSTRATED PARTS CATALOG

FIG ITEM	PART NUMBER	NOMENCLATURE	1 2 3 4 5 6 7							UNITS PER ASSY
02		DOOR INFLIGHT MOVEABLE OPERATING MECHANISM								RF
-										
- 1	2611205-5	. TORQUE TUBE ASSY								01
2	2611205-6	. TUBE-TORQUE								01
3	2611205-7	. SHAFT								01
		ATTACHING PARTS								
4	AN3-15A	. BOLT								02
5	NAS1149F0363P	. WASHER								04
6	MS21044N3	. NUT								02
		—*—								
7	2611205-40	. SHAFT								01
		ATTACHING PARTS								
8	MS35206-262	. SCREW								04
9	MS35338-43	. LOCK WASHER								04
10	2611205-42	. PIN								04
		—*—								
11	2611205-2	. BEARING ASSY-FWD								01
12	2611205-1	. BEARING ASSY-AFT								01
		ATTACHING PARTS								
13	AN4-22A	. BOLT-FORWARD								02
14	AN4-24A	. BOLT-AFT								02
15	NAS1149F0363P	. WASHER-FWD AND AFT								04
16	NAS43HT1-6	. SPACER-AFT								02
17	NAS1149F0432P	. WASHER-AFT								02
18	MS21044N4	. NUT								02
		—*—								
- 19	S1003-45B	. BEARING-FWD AND AFT								01
20	2617115-9	. PLATE-FWD AND AFT								02
21	S2892-4S	. SPROCKET-FWD AND AFT								02
22	NAS1149F1032P	. WASHER-FWD AND AFT								02
23	S2295P25-641	. CHAIN-FWD AND AFT INFLIGHT MOVEABLE DOOR								02
24	S2294-25	. CONNECTING LINK								04
25	2617115-4	. CHAIN LINK								02
26	2617000-4	. SPROCKET								02
27	S2295-25-38	. CHAIN								02
28	S2294-25	. CONNECTING LINK								01
29	2611205-35	. FITTING-AFT								01
		ATTACHING PARTS								
30	MS24694-S73	. SCREW								02 R
31	MS24694-S69	. SCREW								04 R
32	NAS1149F0332P	. WASHER								06
33	MS21044N3	. NUT								06
		—*—								
34	2611205-22	. SPROCKET								04
35	2611205-9	. SHAFT								04
36	NAS1149C0363R	. WASHER								08
37	NAS1149F0432P	. WASHER								08
38	MS21044N3	. NUT								04
39	2611205-21	. SPROCKET								02
40	2611205-8	. SHAFT								02
41	NAS1149F1032P	. WASHER								04
42	NAS1149F0463P	. WASHER								02
43	MS21044N3	. NUT								02

- ITEM NOT ILLUSTRATED

CESSNA®  
**MODEL 208**  
 ILLUSTRATED PARTS CATALOG

A24847



**DETAIL D**  
 CENTER INSTRUMENT PANEL

**DETAIL A**

**DETAIL B**

**DETAIL C**

DOOR INFLIGHT MOVEABLE OPERATING MECHANISM

DOOR INFLIGHT MOVEABLE OPERATING MECHANISM  
 FIGURE 02 (SHEET 2)

2610T7002  
 A2610T1189  
 B2611T1031  
 C2618T1190  
 D2618T2018

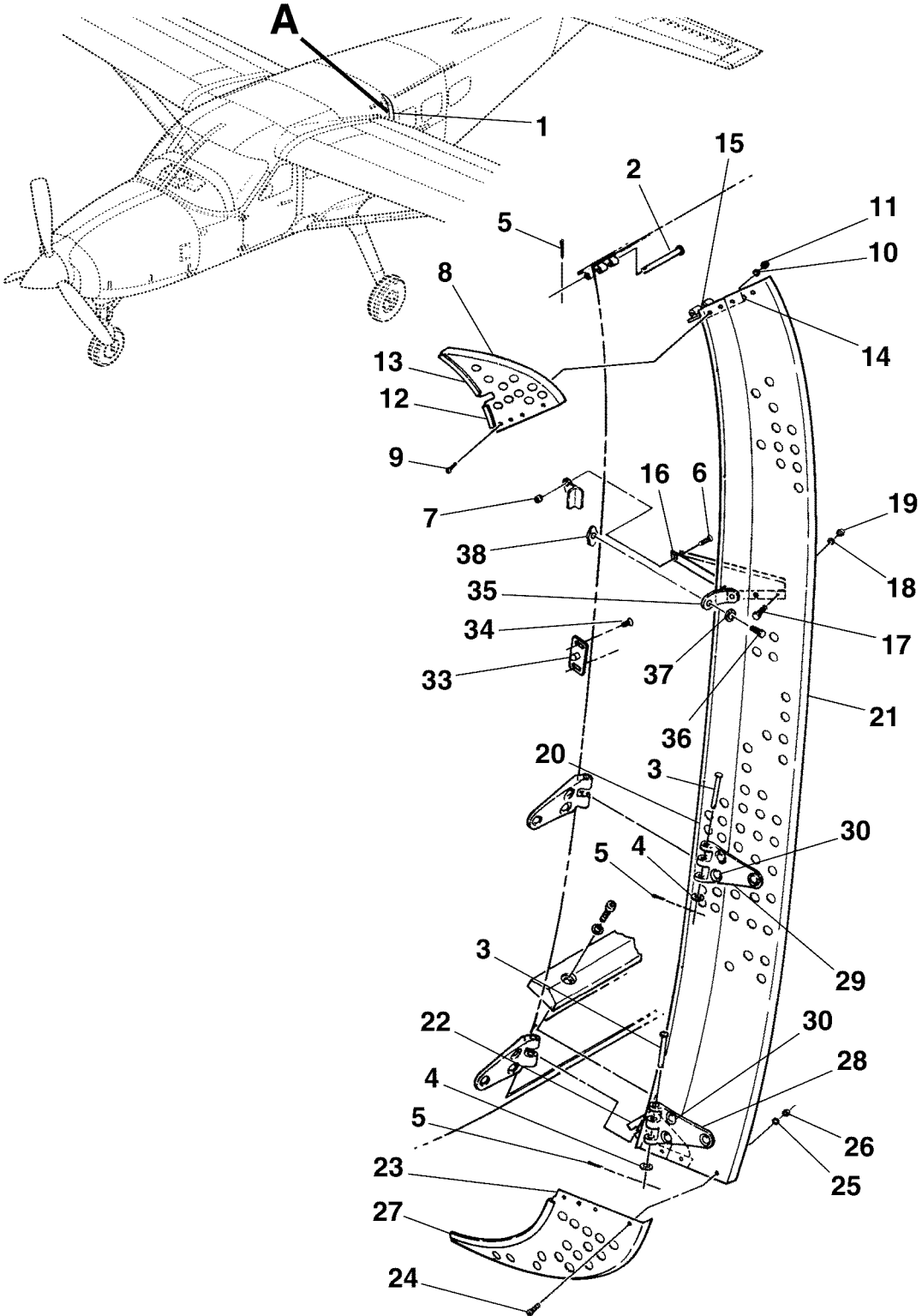
CESSNA®  
**MODEL 208**  
 ILLUSTRATED PARTS CATALOG

FIG ITEM	PART NUMBER	NOMENCLATURE	UNITS
			PER ASSY
		1 2 3 4 5 6 7	
02			
75	2611205-34	. DRIVE ASSY - INFLIGHT MOVABLE DOOR . . . . .	01 R
		. ATTACHING PARTS	
76	AN4H10A	. BOLT . . . . .	03
77	NAS1149F0463P	. WASHER . . . . .	03
		—*—	
78	C100100-1	. . . . . MOTOR . . . . . V54071	01
79	2611205-33	. . . . . SPROCKET	01
80	MS16562-18	. . . . . PIN-ROLL	01
81	MS24187D1	. RELAY-INFLIGHT MOVEABLE DOOR . . . . .	02
		. ATTACHING PARTS	
82	MS35207-263	. BOLT . . . . .	02
83	NAS1149F0332P	. WASHER . . . . .	04
84	NAS43DD3-8FC	. SPACER . . . . .	02
- 84A	NAS43DD3-8N	. SPACER ALT FOR NAS43DD3-8FC . . . . .	02
85	MS21044N3	. NUT . . . . .	02
		—*—	
86	MS25201-4	. SWITCH-INFLIGHT MOVEABLE DOOR . . . . .	01
87	2601379-4	. GUARD ASSY-SWITCH . . . . .	01
		. ATTACHING PARTS	
88	S1022A6-6	. SCREW . . . . .	01
		—*—	
89	MS35058-27	. SWITCH-INFLIGHT MOVEABLE DOOR AFT LH DOOR JAMB . . . . .	01
90	2601379-7	. BRACKET-SWITCH MOUNT . . . . .	01
91	2611164-1	. SUPPORT ASSY-JUMP LIGHT . . . . .	01
- 92	MS21047L06K	. . . . . NUTPLATE . . . . .	02
93	2611164-3	. PLATE-ATTACH JUMP LIGHT . . . . .	01
		. ATTACHING PARTS	
94	MS35190-238	. SCREW . . . . .	02
		—*—	
- 95	31099	. SOCKET-JUMP LIGHT . . . . . V56962	03
96	30110	. LENS-JUMP LIGHT RED . . . . . V56962	01
97	30111	. LENS-JUMP LIGHT AMBER . . . . . V56962	01
98	30112	. LENS-JUMP LIGHT GREEN . . . . . V56962	01
- 99	MS25231-313	. LAMP-JUMP LIGHT . . . . .	01
100	71BD36-02-1AJN	. SWITCH-JUMP LIGHT . . . . . V53467	01
101	80-707227	. WASHER . . . . . V04426	01
102	S1587-5	. KNOB ASSY-JUMP SWITCH . . . . .	01
103	2601381-9	. BRACKET ASSY-SWITCH MOUNT . . . . .	01
		. ATTACHING PARTS	
104	MS35207-270	. SCREW . . . . .	01
105	MS35207-271	. SCREW . . . . .	01
106	NAS1149F0332P	. WASHER . . . . .	02
107	MS21044N3	. NUT . . . . .	02
		—*—	
108	MS21069L06	. . . . . NUTPLATE . . . . .	02
109	BZ7RQ1T	. SWITCH-LIMIT UPPER INFLIGHT MOVEABLE DOOR . . . . . V91929	01
110	MS35206-234	. SCREW . . . . .	02
111	NAS1149FN616P	. WASHER . . . . .	02
112	2601381-6	. BRACKET ASSY-SWITCH MOUNT . . . . .	01
		. ATTACHING PARTS	
113	MS35206-243	. SCREW . . . . .	02
114	NAS1149FN816P	. WASHER UNDER SCREW HEAD . . . . .	02
115	NAS1149FN832P	. WASHER UNDER BRACKET . . . . .	02
		—*—	
116	MS21071L08	. . . . . NUTPLATE . . . . .	02
117	BZ2RW825551T	. SWITCH-LIMIT LOWER INFLIGHT MOVEABLE DOOR FSO . . . . . V91929	NP
		. BZ-2RW825551-A2 . . . . .	
- 117A	BZ-2RW825551-A2	. SWITCH-LIMIT LOWER INFLIGHT MOVEABLE DOOR . . . . . V91929	01
		. ATTACHING PARTS	
118	MS24693-S33	. SCREW . . . . .	02
119	NAS1149FN616P	. WASHER . . . . .	02
120	MS21044N06	. NUT . . . . .	02
		—*—	

- ITEM NOT ILLUSTRATED

CESSNA®  
**MODEL 208**  
ILLUSTRATED PARTS CATALOG

A24848



**DETAIL A**

AIR DEFLECTOR INSTALLATION - CARGO DOOR  
FIGURE 01 (SHEET 1)

26141048  
A26142020A



**CESSNA®**  
**MODEL 208**  
**ILLUSTRATED PARTS CATALOG**

FIG ITEM	PART NUMBER	NOMENCLATURE	UNITS PER ASSY		
			1	2	3
01		AIR DEFLECTOR INSTALLATION - CARGO DOOR REFER TO NOTE 1	0089	& ON	RF R
-			B0214	& ON	
1	2601277-3	DEFLECTOR ASSY-AIR FSO 2601277-36	0089	0246	NP R
			B0214	B0499	
- 1A	2601277-35	DEFLECTOR ASSY-AIR FSO 2601277-36	0247	0328	NP
			B0500	B0846	
- 1B	2601277-36	DEFLECTOR ASSY-CARGO DOOR AIR	0329	0360	01
			B0847	B0982	
- 1C	2601277-38	DEFLECTOR ASSY-CARGO DOOR AIR	0361	& ON	01
			B0893	& ON	
		ATTACHING PARTS			
2	MS20392-2C83	PIN			01
3	MS20392-2C65	PIN			02
4	NAS1149F0332P	WASHER			02
5	MS24665-132	COTTER PIN			03
6	AN5-5A	BOLT			01
7	MS21044N5	NUT			01
		*—			
8	2601277-8	DEFLECTOR-UPPER	0089	0360	01
			B0214	B0982	
- 8A	2601277-41	DEFLECTOR-UPPER	0361	& ON	01
			B0983	& ON	
9	MS35206-245	SCREW			04
10	NAS1149FN816P	WASHER			04
11	MS21044N08	NUT			04
12	S202RW	CHANNEL-1.00 IN LG BKI			01
13	S202RW	CHANNEL-2.38 IN LG BKI			01
14	2601277-6	BRACKET-UPR			01
15	2601277-5	HINGE HALF			01
16	2601277-9	BRACKET-CTR	0089	0360	01
			B0214	B0982	
- 16A	2601277-39	BRACKET-CTR	0361	& ON	01
			B0983	& ON	
		ATTACHING PARTS			
17	MS35206-245	SCREW			03
18	NAS1149FN816P	WASHER			03
19	MS21044N08	NUT			03
		*—			
20	2601277-4	DEFLECTOR			01
21	2601277-7	DEFLECTOR EXTENSION			01
22	2601277-2	BRACKET-LOWER			01
23	2601277-10	DEFLECTOR EXTENSION-LOWER	0089	0360	01
			B0214	B0982	
- 23A	2601277-40	DEFLECTOR EXTENSION-LOWER	0361	& ON	01
			B0983	& ON	
		ATTACHING PARTS			
24	MS35206-245	SCREW			04
25	NAS1149FN816P	WASHER			04
26	MS21044N08	NUT			04
		*—			
27	S202RW	CHANNEL-8.00 IN LG BKI			01
28	2617015-13	HINGE-LOWER FSO 2617015-21	0001	0246	NP
			B0001	B0449	
- 28A	2617015-21	HINGE-LOWER	0247	& ON	01
			B0500	& ON	
29	2617015-15	HINGE-UPPER FSO 2617015-23	0001	0246	NP
			B0001	B0499	
- 29A	2617015-23	HINGE-UPPER	0247	& ON	01
			B0500	& ON	
30	AN4-5A	BOLT-HINGE UPPER ATTACH			03
- 31	NAS1149F0432P	WASHER-HINGE UPPER ATTACH			03
- 32	MS21044N4	NUT-HINGE UPPER ATTACH			03
33	2601277-13	BRACKET ASSY-DOOR WARN LIGHT REPLACES STANDARD LATCH PLATE			01
34		SCREW REFER TO 53-13-02 FIGURE 01			RF
35	2601277-33	STRAP	0186	& ON	01
			B0214	& ON	
36	AN525-10R9	SCREW	0186	& ON	01
			B0214	& ON	
37	NAS1149F0332P	WASHER	0186	& ON	01
			B0214	& ON	
38	MS21047L3	NUTPLATE	0186	& ON	01
			B0214	& ON	

NOTE 1—AIRPLANES -0089 AND ON AND -B0214 AND ON, AND AIRPLANES -0001 & ON AND -B0001 AND ON INCORPORATING CAB87-11 AND AK208-2B.

R

- ITEM NOT ILLUSTRATED

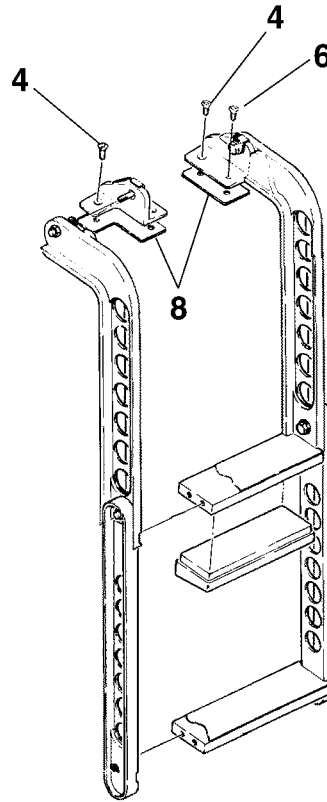
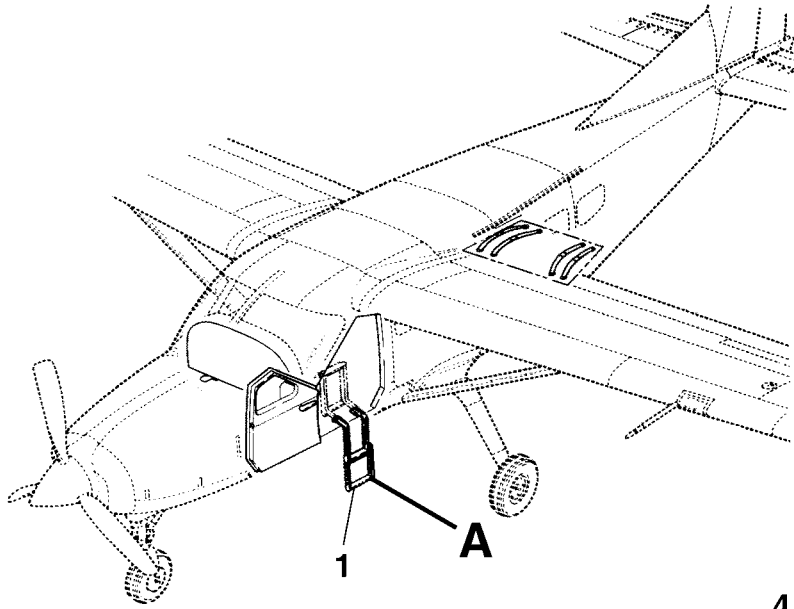
Figure 01  
Page 1

**52-34-00**

Jun 1/2013

CESSNA®  
**MODEL 208**  
ILLUSTRATED PARTS CATALOG

A24851



**DETAIL A**  
CREW STEP

CREW STEP ASSEMBLY  
FIGURE 01 (SHEET 1)

26141051  
A26143020

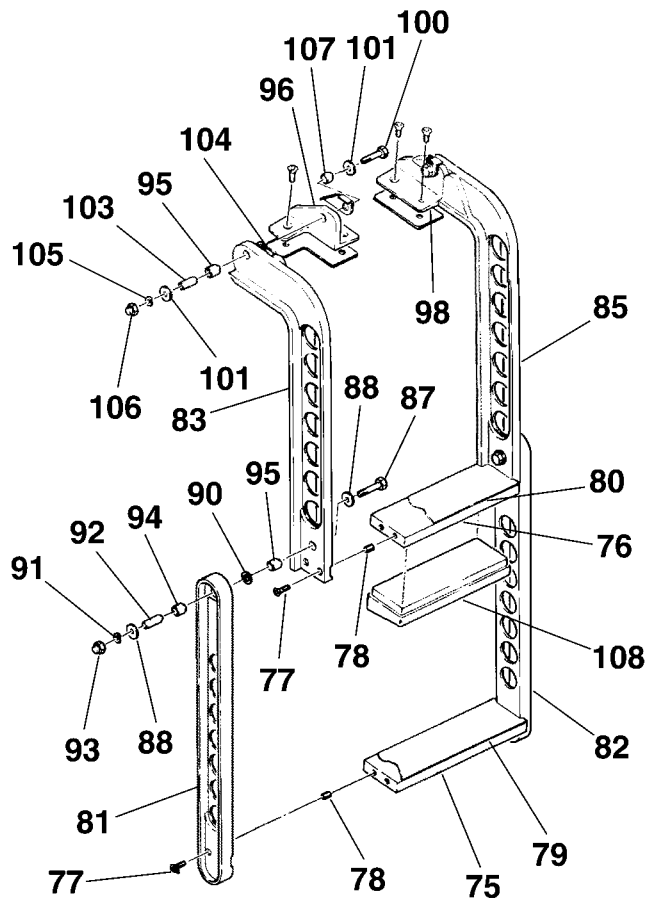
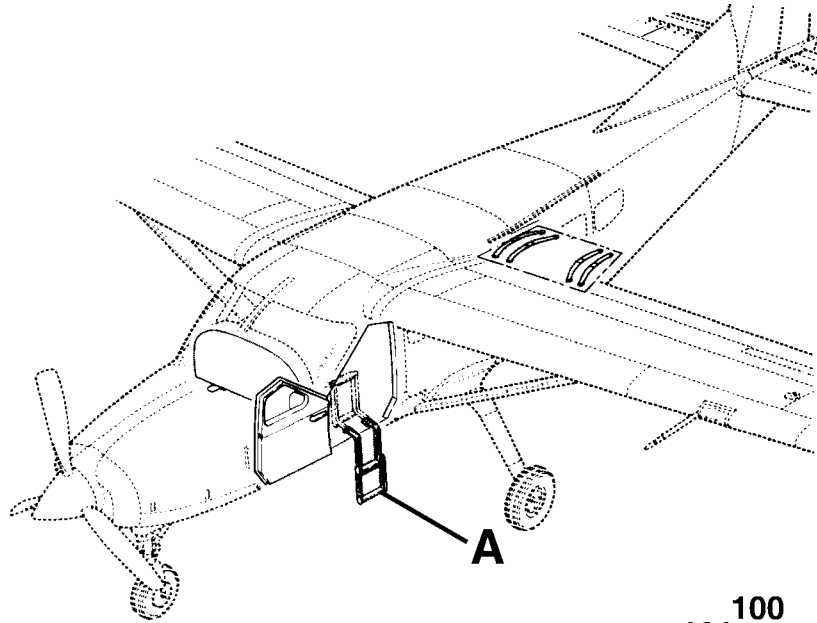
CESSNA®  
**MODEL 208**  
 ILLUSTRATED PARTS CATALOG

FIG ITEM	PART NUMBER	NOMENCLATURE	UNITS PER ASSY	
			1 2 3 4 5 6 7	
01		CREW STEP ASSEMBLY		RF
-				
1	2606033-1	. STEP ASSY-CREW FSO 2606033-41 . . . . .	0001 0114	NP R
			B0001 B0012	
- 2	2606033-38	. STEP ASSY-CREW FSO 2606033-41 . . . . .	0115 0127	NP R
			B0013 B0069	
- 3	2606033-41	. STEP ASSY-CREW . . . . .	0128 0608	02 R
			B0070 B5425	
- 3A	2606033-47	. STEP ASSY-CREW . . . . .	0609 & ON	02 R
			B5426 & ON	
4	MS24694-S98	. SCREW-ATTACH . . . . .	0001 0127	04 R
			B0001 B0069	
- 5	MS24694-S100	. SCREW-ATTACH . . . . .	0128 & ON	04 R
			B0070 & ON	
6	MS24694-S98	. SCREW-ATTACH . . . . .	0001 0127	02 R
			B0001 B0069	
- 7	MS24694-S102	. SCREW-ATTACH . . . . .	0128 & ON	02 R
			B0070 & ON	
8	2606033-27	. SHIM-.016 THICK -ATTACH . . . . .		AR R
- 9	2606033-28	. SHIM-.020 THICK -ATTACH . . . . .		AR R
- 10	2606033-29	. SHIM-.025 THICK -ATTACH . . . . .		AR R

- ITEM NOT ILLUSTRATED

CESSNA®  
MODEL 208  
ILLUSTRATED PARTS CATALOG

A105355



**DETAIL A**  
CREW STEP

CREW STEP ASSEMBLY  
FIGURE 01 (SHEET 2)

26141051  
A26143020

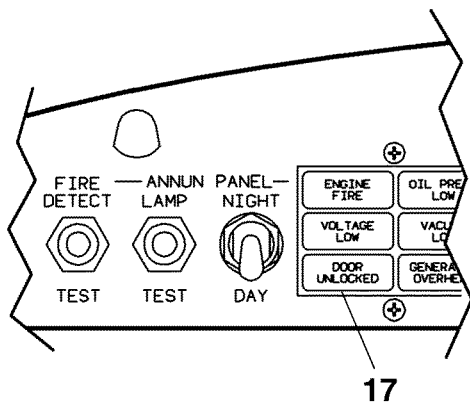
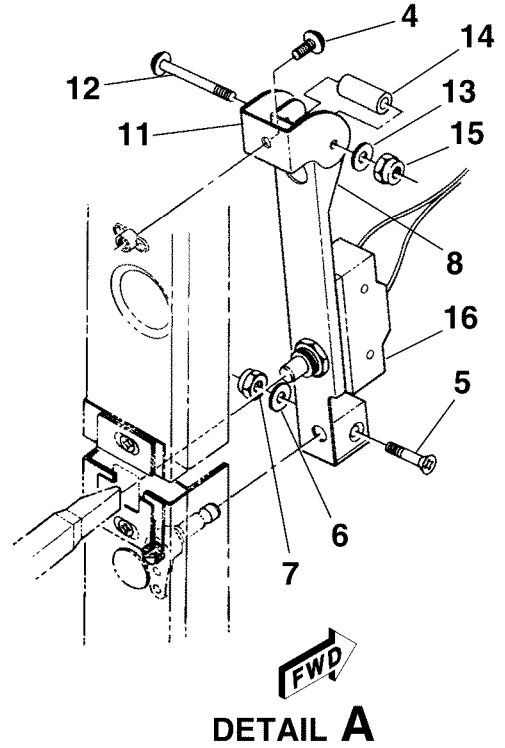
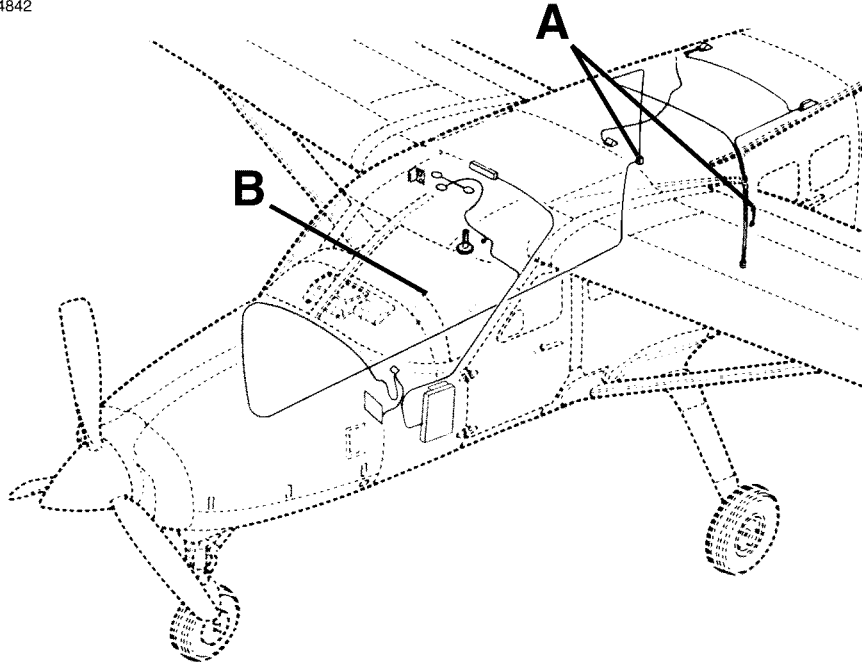
**CESSNA®**  
**MODEL 208**  
**ILLUSTRATED PARTS CATALOG**

FIG ITEM	PART NUMBER	1 2 3 4 5 6 7	NOMENCLATURE	UNITS PER ASSY		
01						
75	2606033-10		.. STEP ASSY-LWR .....	0001	0608	01 R
- 75A	2606033-48		.. STEP ASSY-LWR .....	B0001	B5425	
				0609	& ON	01 R
				B5426	& ON	
76	2606033-12		.. STEP ASSY-UPR .....	0001	0608	01 R
- 76A	2606033-49		.. STEP ASSY-UPR .....	B0001	B5425	
				0609	& ON	01 R
				B5426	& ON	
77	MS24694-S52		.. SCREW-UPPER STEP ASSY ATTACH .....			04 R
78	MS21209F1-20		.. INSERT-HELICAL COIL .....			04 R
79	2606033-14		.. TREAD-LOWER STEP .....	0001	0608	01 R
- 79A	2606033-50		.. TREAD-LOWER STEP .....	B0001	B5425	
				0609	& ON	01 R
				B5426	& ON	
80	2606033-15		.. TREAD-UPPER STEP .....	0001	0608	01 R
- 80A	2606033-51		.. TREAD-UPPER STEP .....	B0001	B5425	
				0609	& ON	01 R
				B5426	& ON	
81	2606033-2		.. ARM ASSY-LWR .....			01 R
82	2606033-4		.. ARM ASSY-LWR .....			01 R
83	2606033-6		.. ARM ASSY-UPR FSO 2606033-43 .....	0001	0127	NP R
- 84	2606033-43		.. ARM ASSY-UPR .....	B0001	B0069	
				0128	& ON	01 R
				B0070	& ON	
85	2606033-8		.. ARM ASSY-UPR-UPR FSO 2606033-44 .....	0001	0127	NP R
- 86	2606033-44		.. ARM ASSY-UPR .....	B0001	B0069	
				0128	& ON	01 R
				B0070	& ON	
87	AN4-13A		.. BOLT-UPPER ARM ASSY ATTACH .....			01 R
88	S1450-4S12-016		.. WASHER-UPPER ARM ASSY ATTACH .....	0001	0127	02 R
- 89	S1450-4S10-032		.. WASHER-UPPER ARM ASSY ATTACH .....	B0001	B0069	
				0128	& ON	02 R
				B0070	& ON	
90	NAS1149C0632R		.. WASHER-UPPER ARM ASSY ATTACH .....			01 R
91	MS35338-44		.. WASHER-LOCK -UPPER ARM ASSY ATTACH .....			01 R
92	S133-4P32		.. SPACER-UPPER ARM ASSY ATTACH .....			01 R
93	S1914-11		.. NUT-UPPER ARM ASSY ATTACH .....			01 R
94	NAS75-6-013		.. BUSHING- LOWER ARM .....			01 R
95	NAS75-6-016		.. BUSHING- UPPER ARM .....			02 R
96	2606033-32		.. BRACKET ASSY-CREW STEP ATTACH .....	0001	0114	01 R
- 97	2606033-36		.. BRACKET ASSY-CREW STEP ATTACH .....	B0001	B0012	
				0115	& ON	01 R
				B0013	& ON	
98	2606033-33		.. BRACKET ASSY BR-CREW STEP ATTACH .....	0001	0114	01 R
- 99	2606033-37		.. BRACKET ASSY-CREW STEP ATTACH .....	B0001	B0012	
				0115	& ON	01 R
				B0013	& ON	
100	AN4-12A		.. BOLT-ATTACH .....			01 R
101	S1450-4S12-016		.. WASHER-ATTACH .....	0001	0127	02 R
- 102	S1450-4S10-032		.. WASHER-ATTACH .....	B0001	B0069	
				0128	& ON	02 R
				B0070	& ON	
103	S133-4P28		.. SPACER-ATTACH .....			01 R
104	NAS1149C0632R		.. WASHER-ATTACH .....			01 R
105	MS35338-44		.. WASHER-ATTACH .....			01 R
106	S1914-11		.. NUT-ATTACH .....			01 R
107	NAS75-6-009		.. BUSHING-BRACKET .....			01 R
108	2615055-1		.. PAD-ARMREST .....			01 R

- ITEM NOT ILLUSTRATED

CESSNA®  
**MODEL 208**  
 ILLUSTRATED PARTS CATALOG

A24842



**DETAIL B**

DOOR WARNING  
 FIGURE 01 (SHEET 1)

2618X1143  
 A26182002  
 B2618T1017

CESSNA®  
**MODEL 208**  
 ILLUSTRATED PARTS CATALOG

FIG ITEM	PART NUMBER	NOMENCLATURE	UNITS PER ASSY	
			1 2 3 4 5 6 7	
01		DOOR WARNING		RF
-				01 R
- 1	2670046-1	. SWITCH ASSY-CARGO DOOR UNLOCKED LH SC015 . . . . .		01 R
- 2	2670046-2	. SWITCH ASSY-PASSENGER DOOR UNLOCKED FSO 2670046-10 . . . . .	0001 0225 B0214 B0334	NP
- 3	2670046-10	. SWITCH ASSY-PASSENGER DOOR UNLOCKED RH SF003 . . . . .	0226 & ON B0335 & ON	01 R
		ATTACHING PARTS		
4	AN525-10R6	. SCREW . . . . .		01
5	MS24694-S13	. SCREW . . . . .		01 R
6	NAS1149FN816P	. WASHER . . . . .		01
7	MS21044N08	. NUT . . . . .		01
		—*—		
8	2670046-3	. . ARM ASSY-SWITCH CARGO DOOR . . . . .		01
- 9	2670046-4	. . ARM ASSY-SWITCH PASSENGER DOOR FSO 2670046-12 . . . . .	0001 0225 B0214 B0334	NP
- 10	2670046-12	. . ARM ASSY-SWITCH PASSENGER DOOR . . . . .	0226 & ON B0335 & ON	01
11	2670046-8	. . BRACKET-SWITCH . . . . .		01
		ATTACHING PARTS		
12	AN525-832R22	. . SCREW . . . . .		01
13	NAS1149FN832P	. . WASHER . . . . .		01
14	NAS43DD3-56FC	. . SPACER . . . . .		01
- 14A	NAS43DD3-56N	. . SPACER ALT FOR NAS43DD3-56FC . . . . .		01
15	MS21044N08	. . NUT . . . . .		01
		—*—		
16	BZ7RQ1T	. . SWITCH . . . . . V91929		01
17		. LIGHT ASSY-INDICATOR DOOR WARNING REFER TO 33-10-00 FIGURE 02 . . . . .		RF

- ITEM NOT ILLUSTRATED